

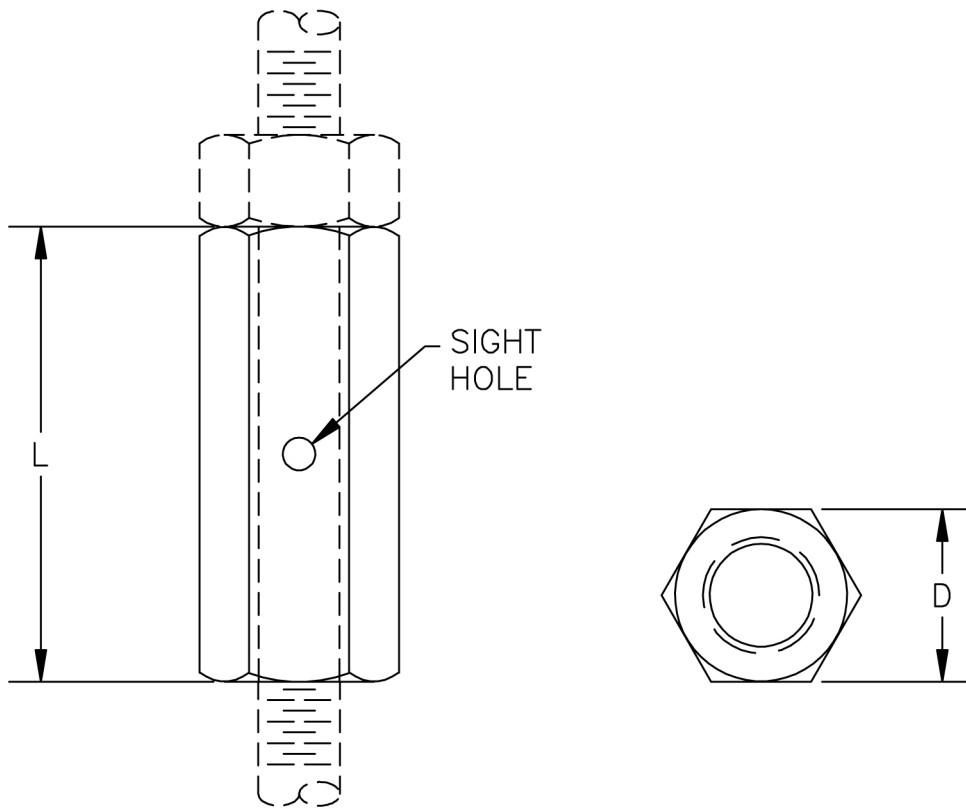
FIG. 35

ROD COUPLING

STRAIGHT WITH SIGHT HOLE

www.pipingtech.com/fig35

- MATERIAL:** Carbon Steel
- FINISH:** Black
- SERVICE:** Used for connecting two rods together of the same diameter.
- ORDERING:** Specify rod size, figure number, and description.



ROD SIZE A	MAX. LOAD (lb.)	WEIGHT (lb.)	D	L
3/8	730	0.09	5/8	1 3/4
1/2	1,350	0.12	3/4	1 1/2
5/8	2,160	0.24	15/16	1 7/8
3/4	3,230	0.42	1 1/8	2 1/4
7/8	4,480	0.66	1 5/16	2 5/8
1	5,900	1.00	1 1/2	3

SCOMPONENTS04.XLS-08/12/09