



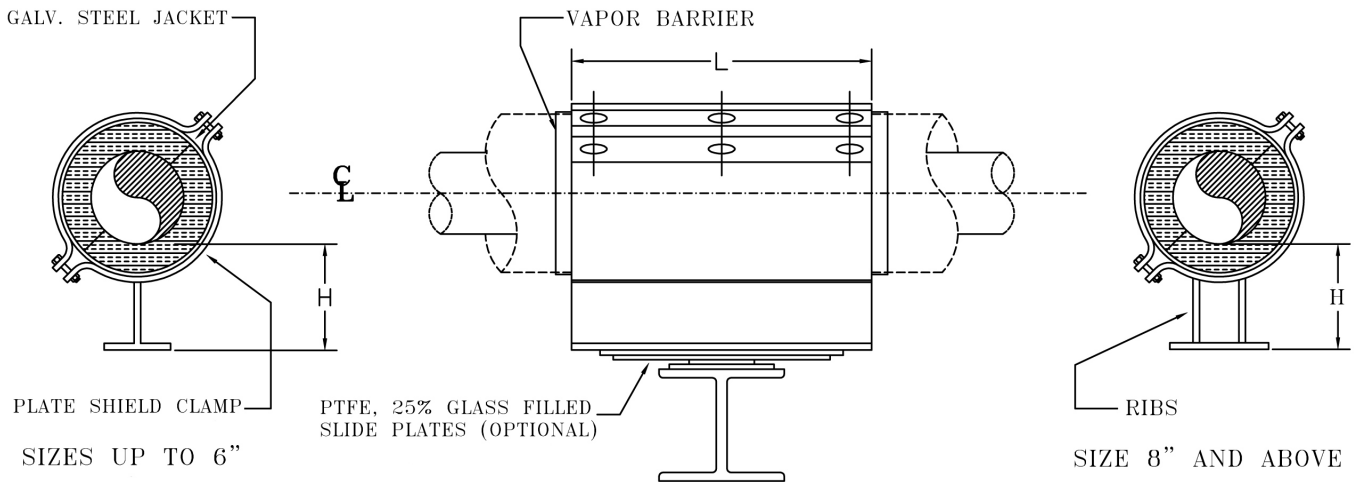
FIG. 4600

INSULATED SHOE SUPPORT FOR COLD PIPE (COLD SHOE)

www.pipingtech.com/fig4600

- MATERIAL:** Shield and Jacket - Galvanized carbon steel.
Insulation - High density Polyurethane (PUF)
- BONDING:** Galvanized jacket, vapor barrier and polyurethane insulation can be bonded per customer specifications.
- COATING:** Inside surface of polyurethane insulation is covered with pressure sensitive tape and exposed surfaces are coated with monolar mastic.
- OPTIONS:** Support design can be modified for length, insulation thickness, higher load and axial movement.
Slide plates are available upon request. Please specify by "-SL" after figure number.
- ORDERING:** Specify pipe size, figure number, description, insulation, thickness, and slide plate material, if desired.

FABRICATED PIPE SHOES & ANCHORS



PIPE SIZE	H (in.)	L (in.)	AXIAL MVMT. (in.)	LOAD CAPACITY (lb.)	APPROX. WEIGHT (lb.)
3	4	12	4	320	38
4	4	12	4	610	44
6	4	12	4	900	75
8	4	12	4	1,490	100
10	4	12	4	1,850	108
12	4	12	4	2,200	123
14	4	12	4	5,900	132
16	4	12	4	6,700	143
18	4	12	4	7,500	197
20	4	12	4	8,400	212
24	4	12	4	10,100	240

PIPESH0ES02.XLS-07/17/09

"H" dimension given above is based on 2" insulation thickness. Please mention in your inquiry if it is different than listed above. Contact us for your requirements other than those listed above.