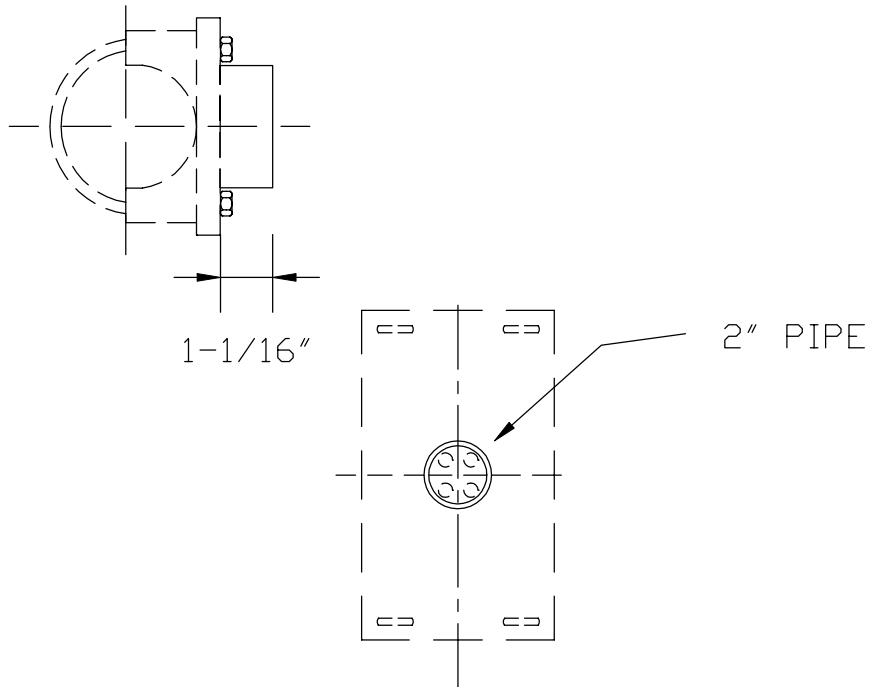


FIG. 100 (3")

3" LINE



2" PIPE

Design, PT&P 9/20/1999 7:36 AM IS-26

CLIENT NAME: \_\_\_\_\_  
 PROJECT NAME: \_\_\_\_\_  
 REQUISITION#: \_\_\_\_\_  
 PT&P JOB#: \_\_\_\_\_ ITEM#: \_\_\_\_\_  
 P.O.#: \_\_\_\_\_  
 DWG#: \_\_\_\_\_  
 REV#: \_\_\_\_\_  
 MARK#: \_\_\_\_\_  
 FINISH: \_\_\_\_\_  
 DATE#: \_\_\_\_\_

FIGURE#: IS-665S (3" DIA. HORZ. OR VERT. LINE)  
 DESCRIPTION: PRIMARY INSTRUMENT SUPPORT MODULE, PREFAB,  
 SINGLE INSTRUMENT, U-BOLT MOUNT SADDLE W/2"  
 THREADED COUPLING FOR 3" DIA. HORIZONTAL OR  
 VERTICAL PIPE.

**PIPING TECHNOLOGY &  
 PRODUCTS, INC.**

P.O. BOX 34506  
 3701 HOLMES RD.  
 TELE#: (713)731-0030  
<http://www.pipingtech.com/>

HOUSTON TEXAS 77234  
 HOUSTON TEXAS 77051  
 FAX#: (713)731-8640  
 E-MAIL: [info@pipingtech.com](mailto:info@pipingtech.com)

