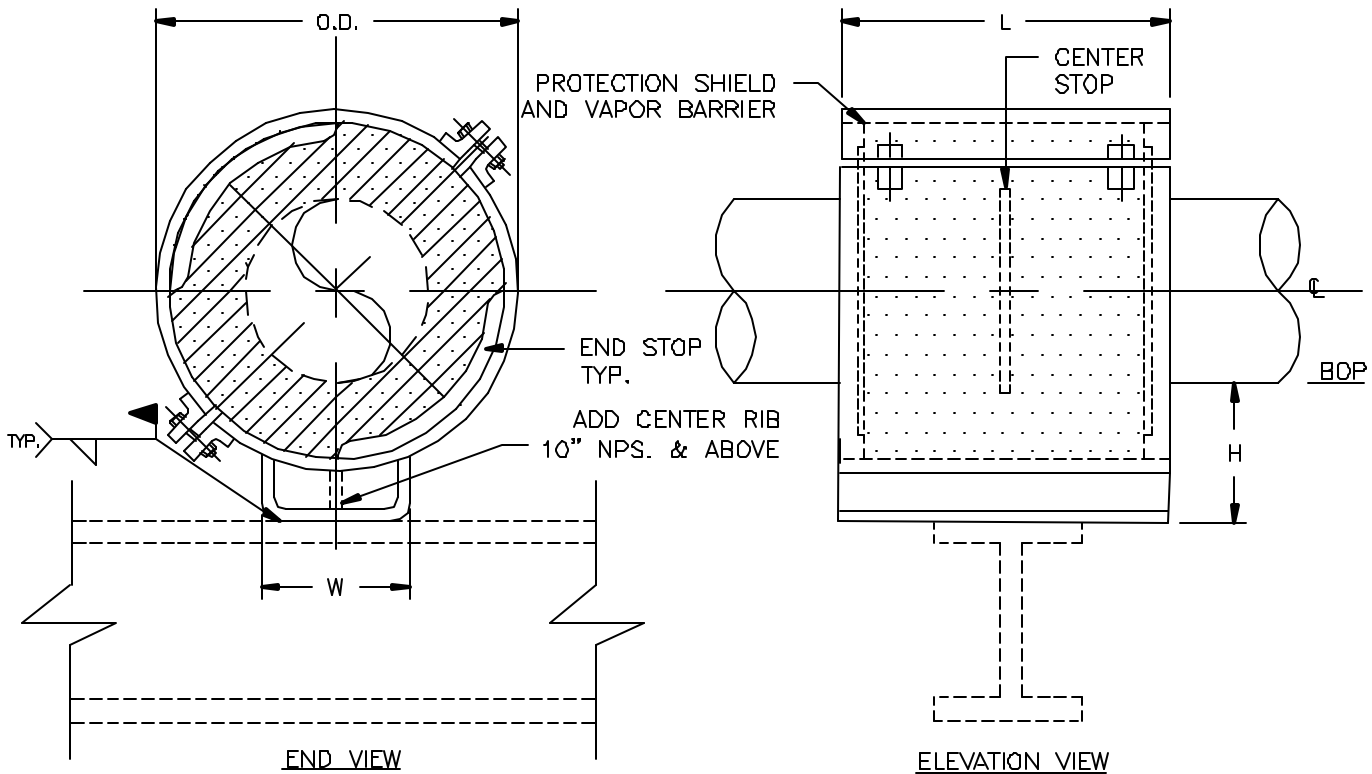


SPECIFICATIONS

INSULATION THK: _____
 SHOE LENGTH: _____
 LOADS, VERTICAL _____
 LATERAL _____
 AXIAL _____
 TEMPERATURE: _____



Design: PT&P 5/28/1999 3:01 PM CS-2020

NOTES

FIGURE#: CS-2020 (CRYOSHOE™)
 DESCRIPTION: ANCHOR TYPE SHOE, U-TYPE BASE, WELDED

| | |
|---------------|--|
| FUNCTION: | USE TO SUPPORT VERTICAL LOADS WHILE LIMITING AXIAL & LATERAL MOVEMENT BY WELDING TO EXISTING STEEL MOVEMENT OF PIPE INSIDE THE COLD SHOE LIMITED BY CENTER STOP AND END STOPS. |
| PIPE SIZE: | 8" TO 20" NPS. |
| MATERIAL: | GALVANIZED OR HDG CARBON STEEL |
| INSULATION: | HIGH DENSITY POLYURETHANE WITH VAPOR BARRIER |
| TEMP. RANGE: | AMBIENT TO -300°F |
| LAYERING SY.: | SEE LAYERING CHARTS |
| SHOE LTH.(L): | STANDARD SHOE AVAILABLE IN 12" & 18" LENGTHS |
| TO ORDER: | SPECIFY PIPE SIZE, INSULATION THK., LENGTH HENCE, (CS-2020)-NPS-THK.-L |
| LOADS: | ALL LOADS ON ADJACENT CHART HAVE A SAFETY FACTOR OF 5 |

CLIENT NAME: _____
 PROJECT NAME: _____
 REQUISITION#: _____
 P.O.#: _____
 DWG#: _____
 MARK#: _____
 PT&P JOB#: _____ ITEM#: _____
 DATE: _____

PIPING TECHNOLOGY & PRODUCTS, INC.

P.O. BOX 34506 HOUSTON TEXAS 77234
 3701 HOLMES RD. HOUSTON TEXAS 77051
 TELE#:(713)731-0030 FAX#:(713)731-8640
<http://www.pipingtech.com/> E-MAIL: info@pipingtech.com





Bearing Plates for Line Anchors

| Pipe size | Vertical Load(lbs) | Vertical Load(lbs) | Insulation Thickness | | | | | | | | | | | | | | | |
|-----------|--------------------|--------------------|----------------------|-------------------|---------|--------|--------|-------------------|---------|----|---------|-------------------|---------|----|---------|-------------------|---------|----|
| | | | 1" | | | 1-1/2" | | | 2" | | | 2-1/2" | | | | | | |
| | | | W | Axial load (lbs.) | O.D. | H | W | Axial load (lbs.) | O.D. | H | W | Axial load (lbs.) | O.D. | H | W | Axial load (lbs.) | O.D. | H |
| 8" | 2502 | 3575 | 6-1/2" | 1512 | 11-1/2" | 4" | 7" | 1806 | 12-1/2" | 4" | 7-1/2" | 1963 | 13-1/2" | 4" | 8-1/8" | 2564 | 14-3/4" | 6" |
| 10" | 3119 | 4456 | 7-1/2" | 3190 | 13-1/2" | 4" | 8-1/8" | 3847 | 14-3/4" | 4" | 8-5/8" | 4416 | 15-3/4" | 4" | 9-1/8" | 5024 | 16-3/4" | 6" |
| 12" | 3699 | 5285 | 8-1/2" | 4416 | 14-3/4" | 4" | 9-1/8" | 5024 | 16-3/4" | 4" | 9-5/8" | 5672 | 17-3/4" | 4" | 10-1/8" | 6359 | 18-3/4" | 6" |
| 14" | 4062 | 5803 | 9-1/2" | 5024 | 17" | 4" | 10" | 5672 | 18" | 4" | 10-1/2" | 6359 | 19" | 4" | 11" | 7085 | 20" | 6" |
| 16" | 7737 | 11053 | 10-1/2" | 10598 | 19" | 4" | 11" | 11808 | 20" | 4" | 11-1/2" | 13083 | 21" | 6" | 12" | 14424 | 22" | 6" |
| 18" | 8704 | 12434 | 11-1/2" | 13083 | 21" | 4" | 12" | 14424 | 22" | 4" | 12-1/2" | 15831 | 23" | 6" | 13" | 17303 | 24" | 6" |
| 20" | 9671 | 13816 | 12-1/2" | 15831 | 23" | 4" | 13" | 17303 | 24" | 4" | 13-1/2" | 18840 | 25" | 6" | 14" | 20443 | 26" | 6" |

| Pipe size | Vertical Load(lbs) | Vertical Load(lbs) | Insulation Thickness | | | | | | | | | | | |
|-----------|--------------------|--------------------|----------------------|-------------------|---------|--------|---------|-------------------|---------|----|---------|-------------------|---------|----|
| | | | 3" | | | 3-1/2" | | | 4" | | | | | |
| | | | W | Axial load (lbs.) | O.D. | H | W | Axial load (lbs.) | O.D. | H | W | Axial load (lbs.) | O.D. | H |
| 8" | 2502 | 3575 | 8-5/8" | 2944 | 15-3/4" | 6" | 9-1/8" | 3349 | 16-3/4" | 6" | 9-5/8" | 3781 | 17-3/4" | 6" |
| 10" | 3119 | 4456 | 9-5/8" | 5672 | 17-3/4" | 6" | 10-1/8" | 6359 | 18-3/4" | 6" | 10-5/8" | 7085 | 19-3/4" | 6" |
| 12" | 3699 | 5285 | 10-5/8" | 7085 | 19-3/4" | 6" | 11-1/8" | 7850 | 20-3/4" | 6" | 11-5/8" | 8655 | 21-3/4" | 6" |
| 14" | 4062 | 5803 | 11-1/2" | 7850 | 21" | 6" | 12" | 8655 | 22" | 6" | 12-1/2" | 9499 | 23" | 6" |
| 16" | 7737 | 11053 | 12-1/2" | 15831 | 23" | 6" | 13" | 17303 | 24" | 6" | 13-1/2" | 18840 | 25" | 8" |
| 18" | 8704 | 12434 | 13-1/2" | 18840 | 25" | 6" | 14" | 20443 | 26" | 6" | 14-1/2" | 22111 | 27" | 8" |
| 20" | 9671 | 13816 | 14-1/2" | 22111 | 27" | 6" | 15" | 23844 | 28" | 6" | 15-1/2" | 25643 | 29" | 8" |