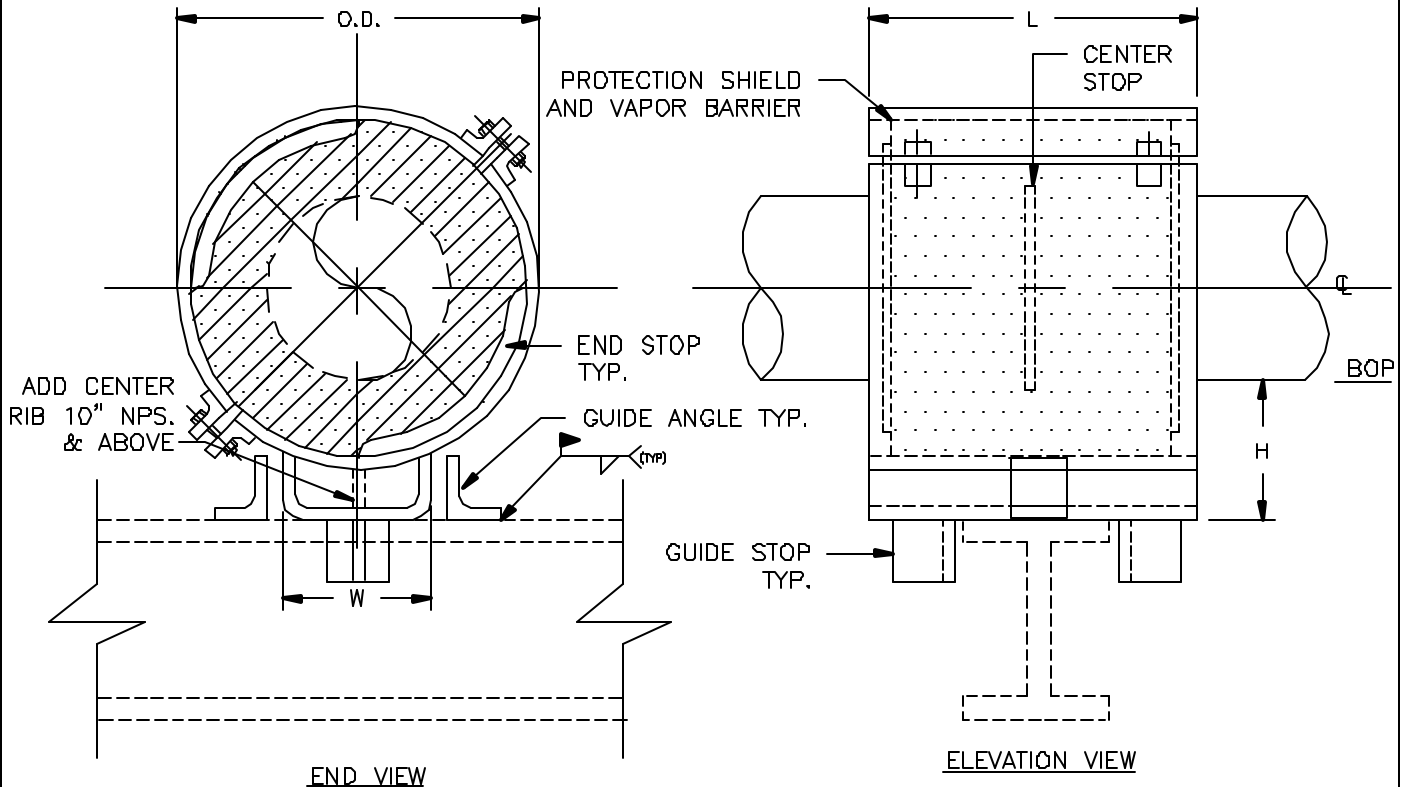


SPECIFICATIONS

INSULATION THK: _____
 SHOE LENGTH: _____
 LOADS, VERTICAL _____
 LATERAL _____
 AXIAL _____
 TEMPERATURE: _____



Design: PT&P 5/28/1999 3:29 PM CS-2021

NOTES

FIGURE#: CS-2021 (CRYOSHOE™)
 DESCRIPTION: ANCHOR TYPE SHOE, U-TYPE BASE, STOPS AND GUIDES

FUNCTION:	USE TO SUPPORT VERTICAL LOADS WHILE LIMITING AXIAL & LATERAL MOVEMENT WITH THE USE OF GUIDES AND STOPS. MOVEMENT OF PIPE INSIDE THE COLD SHOE LIMITED BY CENTER STOP AND END STOPS.
PIPE SIZE:	8" TO 20" NPS.
MATERIAL:	GALVANIZED OR HDG CARBON STEEL
INSULATION:	HIGH DENSITY POLYURETHANE WITH VAPOR BARRIER
TEMP. RANGE:	AMBIENT TO -300°F
LAYERING SY.:	SEE LAYERING CHARTS
SHOE LTH,(L):	STANDARD SHOE AVAILABLE IN 12" & 18" LENGTHS
TO ORDER:	SPECIFY PIPE SIZE, INSULATION THK., LENGTH HENCE, (CS-2021)-NPS-THK.-L
LOADS:	ALL LOADS ON ADJACENT CHART HAVE A SAFETY FACTOR OF 5

CLIENT NAME: _____
 PROJECT NAME: _____
 REQUISITION#: _____
 P.O.#: _____
 DWG#: _____
 MARK#: _____
 PT&P JOB#: _____ ITEM#: _____
 DATE: _____

PIPING TECHNOLOGY & PRODUCTS, INC.

P.O. BOX 34506 HOUSTON TEXAS 77234
 3701 HOLMES RD. HOUSTON TEXAS 77051
 TELE#:(713)731-0030 FAX#:(713)731-8640
<http://www.pipingtech.com/> E-MAIL: info@pipingtech.com





Drop in place Line Anchor

Pipe size	Vertical Load(lbs)	Vertical Load(lbs)	Insulation Thickness															
			1"				1-1/2"				2"				2-1/2"			
			W	Axial load (lbs.)	O.D.	H	W	Axial load (lbs.)	O.D.	H	W	Axial load (lbs.)	O.D.	H	W	Axial load (lbs.)	O.D.	H
8"	2502	3575	6-1/2"	1512	11-1/2"	4"	7"	1806	12-1/2"	4"	7-1/2"	1963	13-1/2"	4"	8-1/8"	2564	14-3/4"	6"
10"	3119	4456	7-1/2"	3190	13-1/2"	4"	8-1/8"	3847	14-3/4"	4"	8-5/8"	4416	15-3/4"	4"	9-1/8"	5024	16-3/4"	6"
12"	3699	5285	8-1/2"	4416	14-3/4"	4"	9-1/8"	5024	16-3/4"	4"	9-5/8"	5672	17-3/4"	4"	10-1/8"	6359	18-3/4"	6"
14"	4062	5803	9-1/2"	5024	17"	4"	10"	5672	18"	4"	10-1/2"	6359	19"	4"	11"	7085	20"	6"
16"	7737	11053	10-1/2"	10598	19"	4"	11"	11808	20"	4"	11-1/2"	13083	21"	6"	12"	14424	22"	6"
18"	8704	12434	11-1/2"	13083	21"	4"	12"	14424	22"	4"	12-1/2"	15831	23"	6"	13"	17303	24"	6"
20"	9671	13816	12-1/2"	15831	23"	4"	13"	17303	24"	4"	13-1/2"	18840	25"	6"	14"	20443	26"	6"

Pipe size	Vertical Load(lbs)	Vertical Load(lbs)	Insulation Thickness											
			3"				3-1/2"				4"			
			W	Axial load (lbs.)	O.D.	H	W	Axial load (lbs.)	O.D.	H	W	Axial load (lbs.)	O.D.	H
8"	2502	3575	8-5/8"	2944	15-3/4"	6"	9-1/8"	3349	16-3/4"	6"	9-5/8"	3781	17-3/4"	6"
10"	3119	4456	9-5/8"	5672	17-3/4"	6"	10-1/8"	6359	18-3/4"	6"	10-5/8"	7085	19-3/4"	6"
12"	3699	5285	10-5/8"	7085	19-3/4"	6"	11-1/8"	7850	20-3/4"	6"	11-5/8"	8655	21-3/4"	6"
14"	4062	5803	11-1/2"	7850	21"	6"	12"	8655	22"	6"	12-1/2"	9499	23"	6"
16"	7737	11053	12-1/2"	15831	23"	6"	13"	17303	24"	6"	13-1/2"	18840	25"	8"
18"	8704	12434	13-1/2"	18840	25"	6"	14"	20443	26"	6"	14-1/2"	22111	27"	8"
20"	9671	13816	14-1/2"	22111	27"	6"	15"	23844	28"	6"	15-1/2"	25643	29"	8"