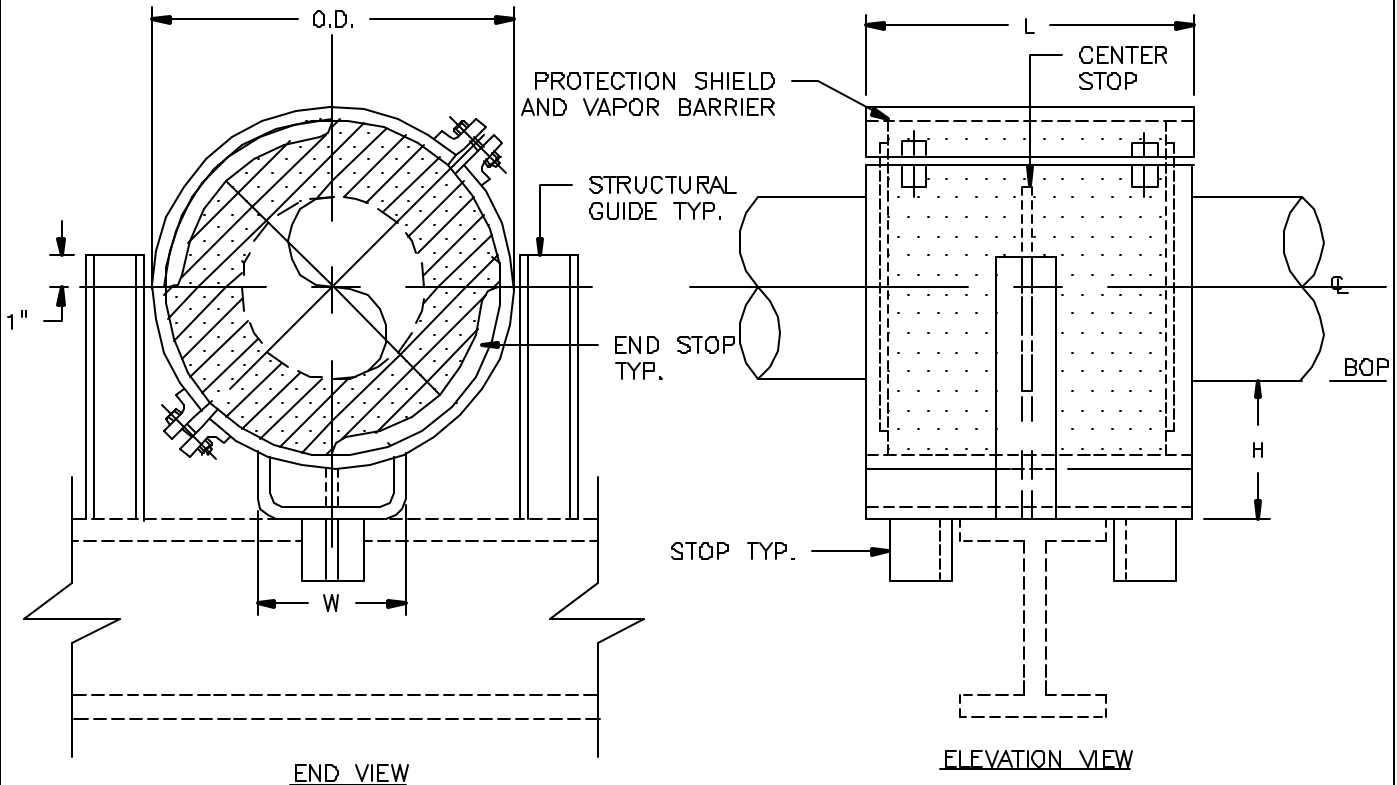


SPECIFICATIONS

INSULATION THK: _____
 SHOE LENGTH: _____
 LOADS: VERTICAL _____
 LATERAL _____
 AXIAL _____
 TEMPERATURE: _____



Design: PT&P 5/28/1999 3:44 PM CS-2023

NOTES

FIGURE#: CS-2023 (CRYOSHOE™)
 DESCRIPTION: ANCHOR TYPE SHOE, U-TYPE BASE, STRUCTURAL STOPS AND GUIDES

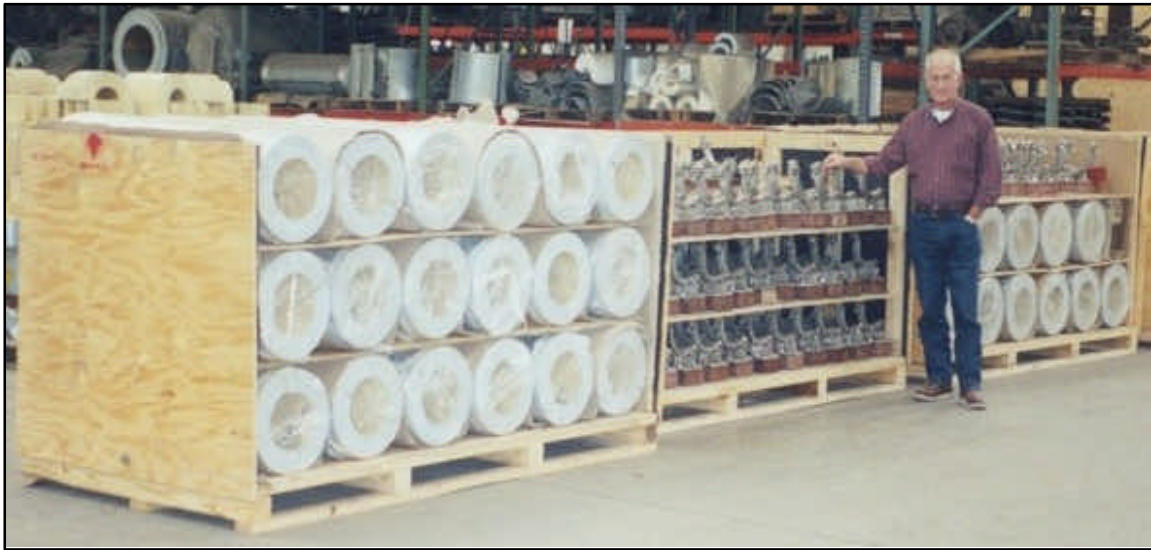
FUNCTION:	USE TO SUPPORT VERTICAL AND AXIAL LOADS WHILE LIMITING LARGE LATERAL MOVEMENTS WITH THE USE OF GUIDES AND STOPS. MOVEMENT OF PIPE INSIDE THE COLD SHOE LIMITED BY CENTER STOP AND END STOPS
PIPE SIZE:	8" TO 20" NPS.
MATERIAL:	GALVANIZED OR HDG CARBON STEEL
INSULATION:	HIGH DENSITY POLYURETHANE WITH VAPOR BARRIER
TEMP. RANGE:	AMBIENT TO -300°F
LAYERING SY.:	SEE LAYERING CHARTS
SHOE LTH.(L):	STANDARD SHOE AVAILABLE IN 12" & 18" LENGTHS
TO ORDER:	SPECIFY PIPE SIZE, INSULATION THK., LENGTH HENCE: (CS-2023)-NPS-THK.-L
LOADS:	ALL LOADS ON ADJACENT CHART HAVE A SAFETY FACTOR OF 5

CLIENT NAME: _____
 PROJECT NAME: _____
 REQUISITION#: _____
 P.O #: _____
 DWG#: _____
 MARK#: _____
 PT&P JOB#: _____ ITEM#: _____
 DATE: _____

PIPING TECHNOLOGY & PRODUCTS, INC.

P.O. BOX 34506 HOUSTON TEXAS 77234
 3701 HOLMES RD. HOUSTON TEXAS 77051
 TELE#:(713)731-0030 FAX#:(713)731-8640
 http://www.pipingtech.com/ E-MAIL: info@pipingtech.com





Coldshoes lined up to be shipped

Pipe size	Vertical Load(lbs)	Vertical Load(lbs)	Insulation Thickness															
			1"				1-1/2"				2"				2-1/2"			
			W	Axial load (lbs.)	O.D.	H	W	Axial load (lbs.)	O.D.	H	W	Axial load (lbs.)	O.D.	H	W	Axial load (lbs.)	O.D.	H
8"	2502	3575	6-1/2"	1512	11-1/2"	4"	7"	1806	12-1/2"	4"	7-1/2"	1963	13-1/2"	4"	8-1/8"	2564	14-3/4"	6"
10"	3119	4456	7-1/2"	3190	13-1/2"	4"	8-1/8"	3847	14-3/4"	4"	8-5/8"	4416	15-3/4"	4"	9-1/8"	5024	16-3/4"	6"
12"	3699	5285	8-1/2"	4416	14-3/4"	4"	9-1/8"	5024	16-3/4"	4"	9-5/8"	5672	17-3/4"	4"	10-1/8"	6359	18-3/4"	6"
14"	4062	5803	9-1/2"	5024	17"	4"	10"	5672	18"	4"	10-1/2"	6359	19"	4"	11"	7085	20"	6"
16"	7737	11053	10-1/2"	10598	19"	4"	11"	11808	20"	4"	11-1/2"	13083	21"	6"	12"	14424	22"	6"
18"	8704	12434	11-1/2"	13083	21"	4"	12"	14424	22"	4"	12-1/2"	15831	23"	6"	13"	17303	24"	6"
20"	9671	13816	12-1/2"	15831	23"	4"	13"	17303	24"	4"	13-1/2"	18840	25"	6"	14"	20443	26"	6"

Pipe size	Vertical Load(lbs)	Vertical Load(lbs)	Insulation Thickness											
			3"			3-1/2"			4"					
			W	Axial load (lbs.)	O.D.	H	W	Axial load (lbs.)	O.D.	H	W	Axial load (lbs.)	O.D.	H
8"	2502	3575	8-5/8"	2944	15-3/4"	6"	9-1/8"	3349	16-3/4"	6"	9-5/8"	3781	17-3/4"	6"
10"	3119	4456	9-5/8"	5672	17-3/4"	6"	10-1/8"	6359	18-3/4"	6"	10-5/8"	7085	19-3/4"	6"
12"	3699	5285	10-5/8"	7085	19-3/4"	6"	11-1/8"	7850	20-3/4"	6"	11-5/8"	8655	21-3/4"	6"
14"	4062	5803	11-1/2"	7850	21"	6"	12"	8655	22"	6"	12-1/2"	9499	23"	6"
16"	7737	11053	12-1/2"	15831	23"	6"	13"	17303	24"	6"	13-1/2"	18840	25"	8"
18"	8704	12434	13-1/2"	18840	25"	6"	14"	20443	26"	6"	14-1/2"	22111	27"	8"
20"	9671	13816	14-1/2"	22111	27"	6"	15"	23844	28"	6"	15-1/2"	25643	29"	8"