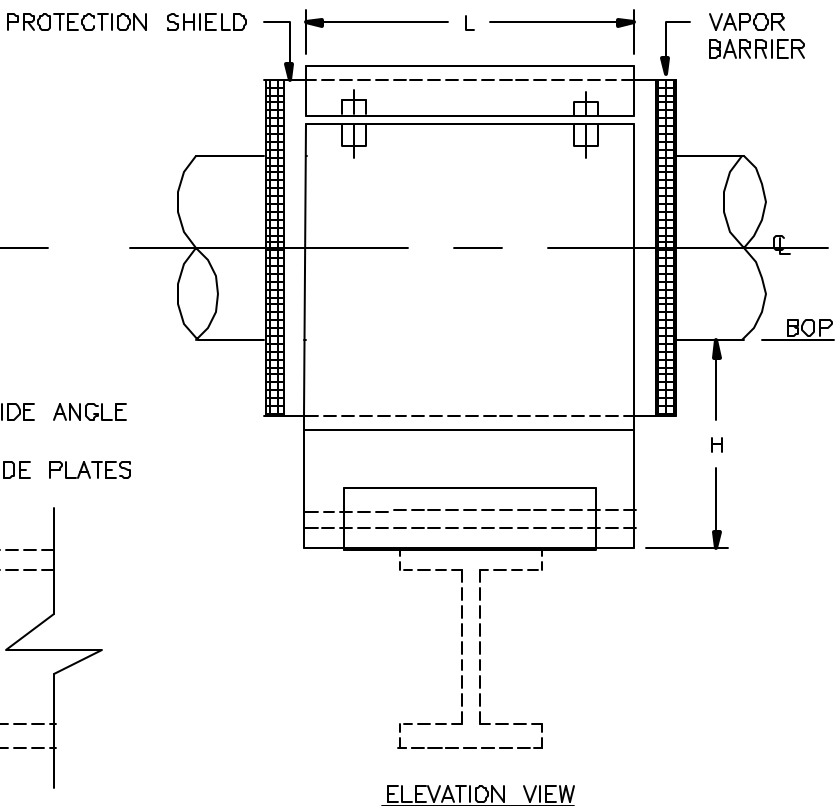
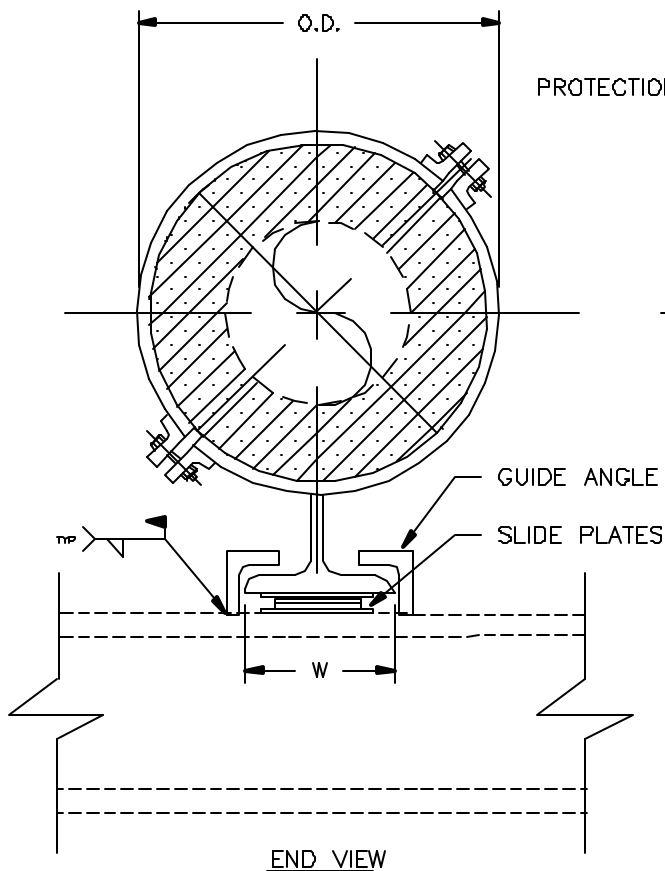


SPECIFICATIONS

INSULATION THK: _____
 SHOE LENGTH: _____
 LOADS: VERTICAL _____
 LATERAL _____
 AXIAL _____
 MOVEMENT: LATER. _____
 AXIAL _____
 TEMPERATURE: _____



Design: PT&P 6/1/1999 10:2 PM CS-3011

NOTES

FIGURE#: CS-3011 (CRYOSHOE™)
 DESCRIPTION: SLIDING SHOES, SPLIT-T BASE, GUIDED, WITHOUT THRUST PLATES

FUNCTION: USE TO SUPPORT VERTICAL LOADS LATERAL MOVEMENT LIMITED BY GUIDES. CLAMPING FORCE LIMITS MOVEMENT OF PIPE INSIDE THE GOLDSHOE. SHOE ALLOWED TO SLIDE IN THE AXIAL DIRECTION.

CLIENT NAME: _____
 PROJECT NAME: _____
 REQUISITION#: _____
 P O #: _____
 DWG#: _____
 MARK#: _____
 PT&P JOB#: _____ ITEM#: _____
 DATE: _____

PIPE SIZE: 1/2" TO 6" NPS.
MATERIAL: GALVANIZED OR HDG CARBON STEEL
INSULATION: HIGH DENSITY POLYURETHANE WITH VAPOR BARRIER

TEMP. RANGE: AMBIENT TO -300°F
LAYERING SY.: SEE LAYERING CHARTS
SHOE LTH.(L): STANDARD SHOE AVAILABLE IN 12" & 18" LENGTHS

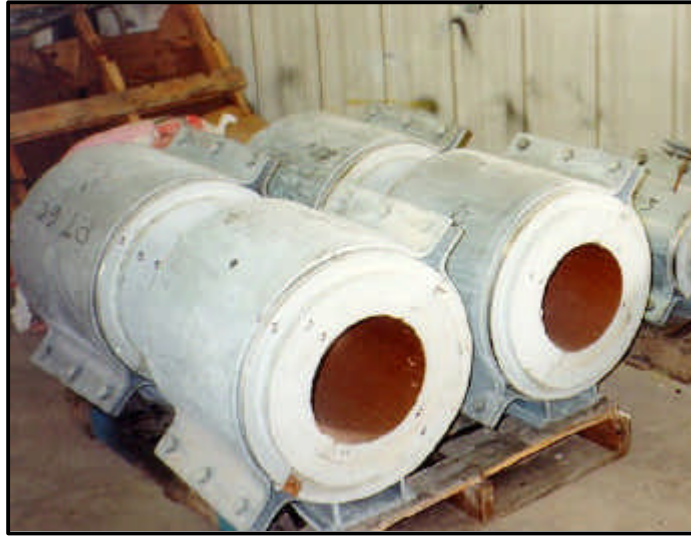
TO ORDER: SPECIFY PIPE SIZE, INSULATION THK., LENGTH
 HENCE: (CS-3011)-NPS-THK.-L

LOADS: ALL LOADS ON ADJACENT CHART
 HAVE A SAFETY FACTOR OF 5

PIPING TECHNOLOGY & PRODUCTS, INC.

P.O. BOX 34506 HOUSTON TEXAS 77234
 3701 HOLMES RD. HOUSTON TEXAS 77051
 TELE#:(713)731-0030 FAX#:(713)731-8640
 http://www.pipingtech.com/ E-MAIL: info@pipingtech.com





8" C-2 Clamped Coldshoe

Pipe size	L=12" Vertical Load(lbs)	L=18" Vertical Load(lbs)	Insulation Thickness											
			1"			1-1/2"			2"			2-1/2"		
			W	O.D.	H	W	O.D.	H	W	O.D.	H	W	O.D.	H
1/2"	162	232	3"	3-1/8"	4"	4"	4-1/4"	4"	4"	5-1/4"	4"	4"	6-7/8"	4"
3/4"	203	290	3"	3-1/8"	4"	4"	4-1/4"	4"	4"	5-1/4"	4"	4"	6-7/8"	4"
1"	254	363	4"	3-3/4"	4"	4"	4-3/4"	4"	4"	5-13/16"	4"	4"	6-7/8"	4"
1-1/4"	321	459	4"	3-3/4"	4"	5"	5-1/4"	4"	4"	5-13/16"	4"	4"	6-7/8"	4"
1-1/2"	368	525	4"	4-1/4"	4"	4"	5-1/4"	4"	4"	6-7/8"	4"	4"	7-7/8"	4"
2"	459	656	4"	5"	4"	4"	6-1/16"	4"	4"	7-1/4"	4"	4"	8-1/8"	4"
2-1/2"	556	794	4"	5-1/2"	4"	4"	7-1/8"	4"	4"	8-1/8"	4"	4"	9-1/8"	4"
3"	677	967	4"	6-1/16"	4"	4"	7-1/8"	4"	4"	8-1/8"	4"	4"	9-1/8"	4"
3-1/2"	774	1105	4"	7-1/8"	4"	4"	8-1/8"	4"	4"	9-1/8"	4"	4"	10-1/8"	4"
4"	870	1243	4"	7-1/8"	4"	4"	8-1/8"	4"	4"	9-1/8"	4"	4"	10-1/8"	4"
5"	1076	1537	4"	8-1/8"	4"	4"	9-1/8"	4"	4"	10-1/8"	4"	4"	11-1/4"	4"
6"	1281	1831	4"	9-15/16"	4"	4"	10-3/8"	4"	4"	11-1/2"	4"	4"	12-1/2"	4"

Pipe size	L=12" Vertical Load(lbs)	L=18" Vertical Load(lbs)	Insulation Thickness								
			3"			3-1/2"			4"		
			W	O.D.	H	W	O.D.	H	W	O.D.	H
1/2"	162	232	4"	7-7/8"	6"	4"	8-7/8"	6"	4"	9-7/8"	6"
3/4"	203	290	4"	7-7/8"	6"	4"	8-7/8"	6"	4"	9-7/8"	6"
1"	254	363	4"	7-7/8"	6"	4"	8-7/8"	6"	4"	9-7/8"	6"
1-1/4"	321	459	4"	7-7/8"	6"	4"	8-7/8"	6"	4"	9-7/8"	6"
1-1/2"	368	525	4"	8-7/8"	6"	4"	9-7/8"	6"	4"	11"	6"
2"	459	656	4"	9-1/8"	6"	4"	10-1/8"	6"	4"	11-1/4"	6"
2-1/2"	556	794	4"	10-1/8"	6"	4"	11-1/4"	6"	4"	12-1/4"	6"
3"	677	967	4"	10-1/8"	6"	4"	11-1/4"	6"	4"	12-1/4"	6"
3-1/2"	774	1105	4"	11-1/4"	6"	4"	12-1/4"	6"	4"	13-1/4"	6"
4"	870	1243	4"	11-1/4"	6"	4"	12-1/4"	6"	4"	13-1/4"	6"
5"	1076	1537	4"	12-1/4"	6"	4"	13-1/4"	6"	4"	14-1/2"	6"
6"	1281	1831	4"	13-1/2"	6"	4"	14-3/4"	6"	4"	15-3/4"	6"