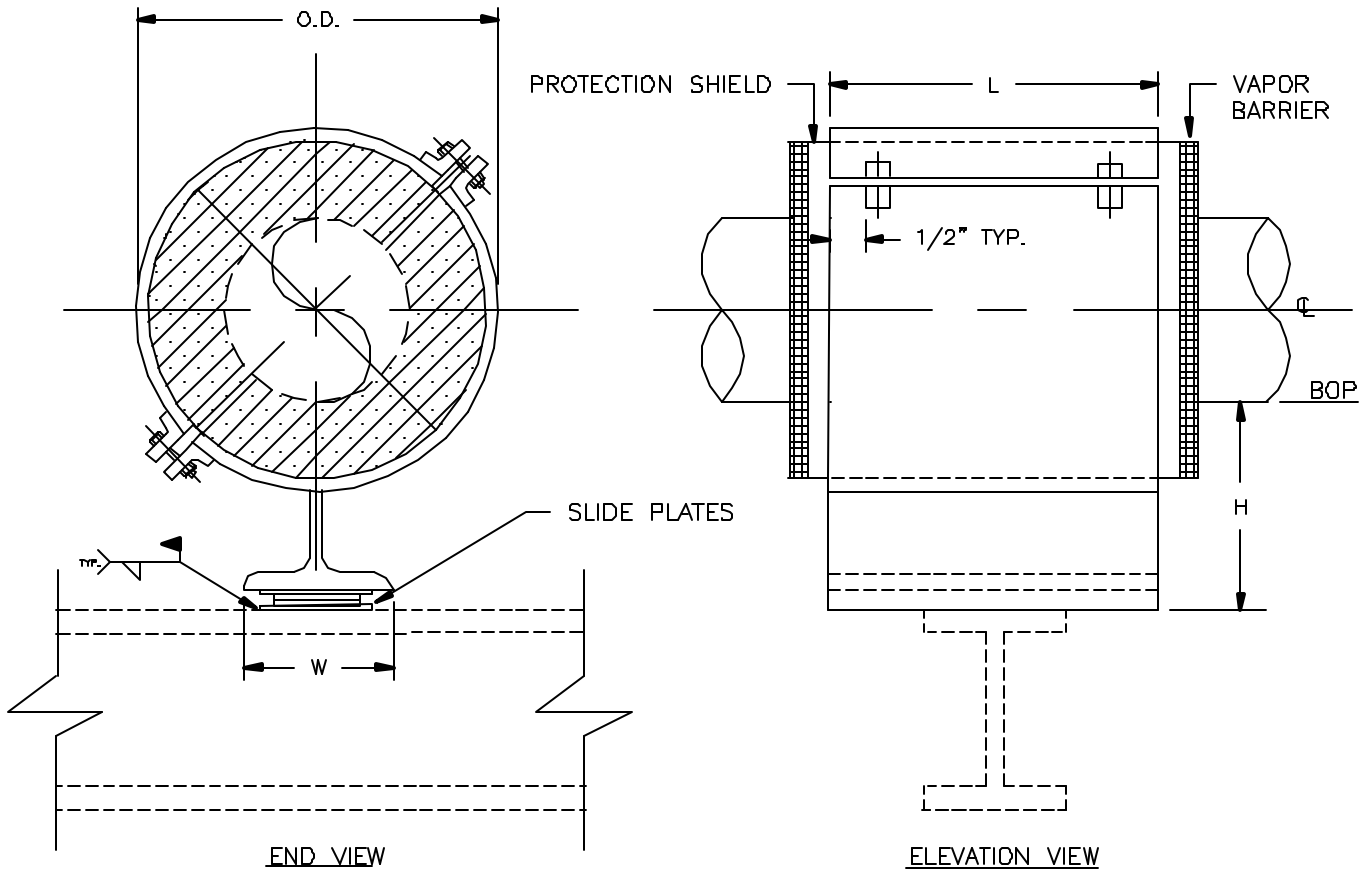


## SPECIFICATIONS

INSULATION THK: \_\_\_\_\_  
 SHOE LENGTH: \_\_\_\_\_  
 LOADS: VERTICAL \_\_\_\_\_  
           LATERAL \_\_\_\_\_  
           AXIAL \_\_\_\_\_  
 MOVEMENT: LATER. \_\_\_\_\_  
               AXIAL \_\_\_\_\_  
 TEMPERATURE: \_\_\_\_\_



Design: PT&P 6/1/1999 11:52 AM CS-3013

## NOTES

FIGURE#: CS-3013 (CRYOSHOE™)  
 DESCRIPTION: SLIDING SHOES, SPLIT-T BASE, UNGUIDED, WITHOUT THRUST PLATES

|               |   |
|---------------|---|
| FUNCTION:     | USE TO SUPPORT VERTICAL LOADS WHILE ALLOWING AXIAL AND LATERAL MOVEMENT. CLAMPING FORCE LIMITS MOVEMENT OF PIPE INSIDE THE COLD SHOE. |
| PIPE SIZE:    | 1/2" TO 6" NPS.   |
| MATERIAL:     | GALVANIZED OR HDG CARBON STEEL  |
| INSULATION:   | HIGH DENSITY POLYURETHANE WITH VAPOR BARRIER  |
| TEMP. RANGE:  | AMBIENT TO -300°F   |
| LAYERING SY.: | SEE LAYERING CHARTS   |
| SHOE LTH.(L): | STANDARD SHOE AVAILABLE IN 12" & 18" LENGTHS  |
| TO ORDER:     | SPECIFY PIPE SIZE, INSULATION THK., LENGTH HENCE: (CS-3013)-NPS-THK.-L  |
| LOADS:        | ALL LOADS ON ADJACENT CHART HAVE A SAFETY FACTOR OF 5   |

CLIENT NAME: \_\_\_\_\_  
 PROJECT NAME: \_\_\_\_\_  
 REQUISITION#: \_\_\_\_\_  
 P O #: \_\_\_\_\_  
 DWG#: \_\_\_\_\_  
 MARK#: \_\_\_\_\_  
 PT&P JOB#: \_\_\_\_\_ ITEM#: \_\_\_\_\_  
 DATE: \_\_\_\_\_

## PIPING TECHNOLOGY & PRODUCTS, INC.

P.O. BOX 34506                      HOUSTON TEXAS 77234  
 3701 HOLMES RD.                    HOUSTON TEXAS 77051  
 TELE#:(713)731-0030                FAX#:(713)731-8640  
<http://www.pipingtech.com/>        E-MAIL: info@pipingtech.com





6" CS-3020 Sliding Coldshoe

| Pipe size | L=12" Vertical Load(lbs) | L=18" Vertical Load(lbs) | Insulation Thickness |          |    |        |         |    |    |          |    |        |         |    |
|-----------|--------------------------|--------------------------|----------------------|----------|----|--------|---------|----|----|----------|----|--------|---------|----|
|           |                          |                          | 1"                   |          |    | 1-1/2" |         |    | 2" |          |    | 2-1/2" |         |    |
|           |                          |                          | W                    | O.D.     | H  | W      | O.D.    | H  | W  | O.D.     | H  | W      | O.D.    | H  |
| 1/2"      | 162                      | 232                      | 3"                   | 3-1/8"   | 4" | 4"     | 4-1/4"  | 4" | 4" | 5-1/4"   | 4" | 4"     | 6-7/8"  | 4" |
| 3/4"      | 203                      | 290                      | 3"                   | 3-1/8"   | 4" | 4"     | 4-1/4"  | 4" | 4" | 5-1/4"   | 4" | 4"     | 6-7/8"  | 4" |
| 1"        | 254                      | 363                      | 4"                   | 3-3/4"   | 4" | 4"     | 4-3/4"  | 4" | 4" | 5-13/16" | 4" | 4"     | 6-7/8"  | 4" |
| 1-1/4"    | 321                      | 459                      | 4"                   | 3-3/4"   | 4" | 5"     | 5-1/4"  | 4" | 4" | 5-13/16" | 4" | 4"     | 6-7/8"  | 4" |
| 1-1/2"    | 368                      | 525                      | 4"                   | 4-1/4"   | 4" | 4"     | 5-1/4"  | 4" | 4" | 6-7/8"   | 4" | 4"     | 7-7/8"  | 4" |
| 2"        | 459                      | 656                      | 4"                   | 5"       | 4" | 4"     | 6-1/16" | 4" | 4" | 7-1/4"   | 4" | 4"     | 8-1/8"  | 4" |
| 2-1/2"    | 556                      | 794                      | 4"                   | 5-1/2"   | 4" | 4"     | 7-1/8"  | 4" | 4" | 8-1/8"   | 4" | 4"     | 9-1/8"  | 4" |
| 3"        | 677                      | 967                      | 4"                   | 6-1/16"  | 4" | 4"     | 7-1/8"  | 4" | 4" | 8-1/8"   | 4" | 4"     | 9-1/8"  | 4" |
| 3-1/2"    | 774                      | 1105                     | 4"                   | 7-1/8"   | 4" | 4"     | 8-1/8"  | 4" | 4" | 9-1/8"   | 4" | 4"     | 10-1/8" | 4" |
| 4"        | 870                      | 1243                     | 4"                   | 7-1/8"   | 4" | 4"     | 8-1/8"  | 4" | 4" | 9-1/8"   | 4" | 4"     | 10-1/8" | 4" |
| 5"        | 1076                     | 1537                     | 4"                   | 8-1/8"   | 4" | 4"     | 9-1/8"  | 4" | 4" | 10-1/8"  | 4" | 4"     | 11-1/4" | 4" |
| 6"        | 1281                     | 1831                     | 4"                   | 9-15/16" | 4" | 4"     | 10-3/8" | 4" | 4" | 11-1/2"  | 4" | 4"     | 12-1/2" | 4" |

| Pipe size | L=12" Vertical Load(lbs) | L=18" Vertical Load(lbs) | Insulation Thickness |         |    |        |         |    |    |         |    |
|-----------|--------------------------|--------------------------|----------------------|---------|----|--------|---------|----|----|---------|----|
|           |                          |                          | 3"                   |         |    | 3-1/2" |         |    | 4" |         |    |
|           |                          |                          | W                    | O.D.    | H  | W      | O.D.    | H  | W  | O.D.    | H  |
| 1/2"      | 162                      | 232                      | 4"                   | 7-7/8"  | 6" | 4"     | 8-7/8"  | 6" | 4" | 9-7/8"  | 6" |
| 3/4"      | 203                      | 290                      | 4"                   | 7-7/8"  | 6" | 4"     | 8-7/8"  | 6" | 4" | 9-7/8"  | 6" |
| 1"        | 254                      | 363                      | 4"                   | 7-7/8"  | 6" | 4"     | 8-7/8"  | 6" | 4" | 9-7/8"  | 6" |
| 1-1/4"    | 321                      | 459                      | 4"                   | 7-7/8"  | 6" | 4"     | 8-7/8"  | 6" | 4" | 9-7/8"  | 6" |
| 1-1/2"    | 368                      | 525                      | 4"                   | 8-7/8"  | 6" | 4"     | 9-7/8"  | 6" | 4" | 11"     | 6" |
| 2"        | 459                      | 656                      | 4"                   | 9-1/8"  | 6" | 4"     | 10-1/8" | 6" | 4" | 11-1/4" | 6" |
| 2-1/2"    | 556                      | 794                      | 4"                   | 10-1/8" | 6" | 4"     | 11-1/4" | 6" | 4" | 12-1/4" | 6" |
| 3"        | 677                      | 967                      | 4"                   | 10-1/8" | 6" | 4"     | 11-1/4" | 6" | 4" | 12-1/4" | 6" |
| 3-1/2"    | 774                      | 1105                     | 4"                   | 11-1/4" | 6" | 4"     | 12-1/4" | 6" | 4" | 13-1/4" | 6" |
| 4"        | 870                      | 1243                     | 4"                   | 11-1/4" | 6" | 4"     | 12-1/4" | 6" | 4" | 13-1/4" | 6" |
| 5"        | 1076                     | 1537                     | 4"                   | 12-1/4" | 6" | 4"     | 13-1/4" | 6" | 4" | 14-1/2" | 6" |
| 6"        | 1281                     | 1831                     | 4"                   | 13-1/2" | 6" | 4"     | 14-3/4" | 6" | 4" | 15-3/4" | 6" |