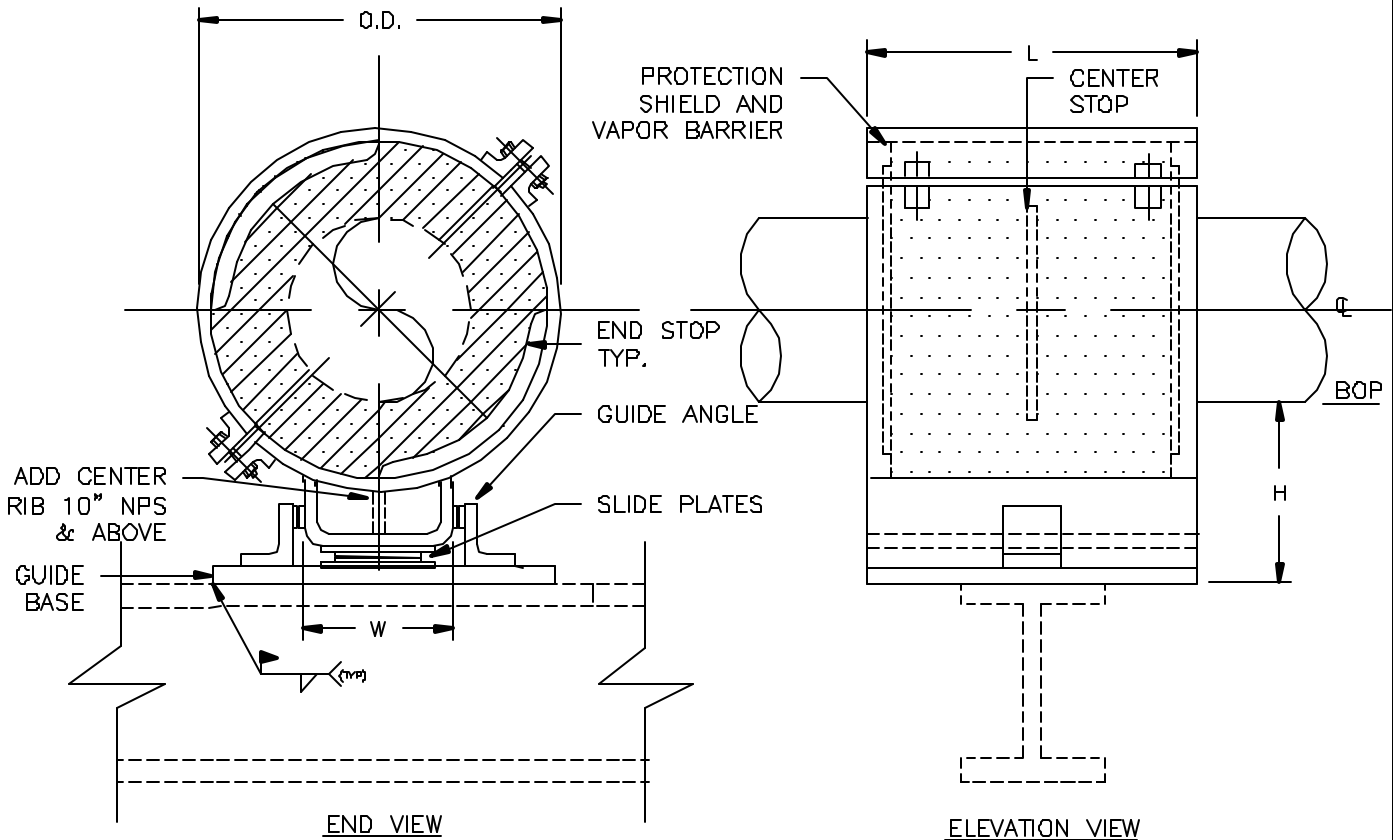


## SPECIFICATIONS

INSULATION THK: \_\_\_\_\_  
 SHOE LENGTH: \_\_\_\_\_  
 LOADS: VERTICAL \_\_\_\_\_  
           LATERAL \_\_\_\_\_  
           AXIAL \_\_\_\_\_  
 MOVEMENT: LATER. \_\_\_\_\_  
               AXIAL \_\_\_\_\_  
 TEMPERATURE: \_\_\_\_\_



Design: PT&P 6/1/1999 12L PM CS-3020

## NOTES

FIGURE#: CS-3020 (CRYOSHOE™)  
 DESCRIPTION: SLIDING SHOES, U-TYPE BASE, GUIDED, WITH THRUST PLATES

CLIENT NAME: \_\_\_\_\_  
 PROJECT NAME: \_\_\_\_\_  
 REQUISITION#: \_\_\_\_\_  
 P O #: \_\_\_\_\_  
 DWG#: \_\_\_\_\_  
 MARK#: \_\_\_\_\_  
 PT&P JOB#: \_\_\_\_\_ ITEM#: \_\_\_\_\_  
 DATE: \_\_\_\_\_

FUNCTION:	USE TO SUPPORT VERTICAL LOADS LATERAL MOVEMENT LIMITED BY GUIDES. MOVEMENT OF PIPE INSIDE THE COLDSHOE LIMITED BY CENTER STOP AND END STOPS. SHOE ALLOWED TO SLIDE IN THE AXIAL DIRECTION.
PIPE SIZE:	8" TO 20" NPS.
MATERIAL:	GALVANIZED OR HDG CARBON STEEL
INSULATION:	HIGH DENSITY POLYURETHANE WITH VAPOR BARRIER
TEMP. RANGE:	AMBIENT TO -300°F
LAYERING SY.:	SEE LAYERING CHARTS
SHOE LTH.(L):	STANDARD SHOE AVAILABLE IN 12" & 18" LENGTHS
TO ORDER:	SPECIFY PIPE SIZE, INSULATION THK., LENGTH HENCE: (CS-3020)-NPS-THK.-L
LOADS:	ALL LOADS ON ADJACENT CHART HAVE A SAFETY FACTOR OF 5

## PIPING TECHNOLOGY & PRODUCTS, INC.

P.O. BOX 34506                      HOUSTON TEXAS 77234  
 3701 HOLMES RD.                    HOUSTON TEXAS 77051  
 TELE#:(713)731-0030                FAX#:(713)731-8640  
 http://www.pipingtech.com/      E-MAIL: info@pipingtech.com





Resting Anchors being prepared for shipment

Pipe size	L=12" Vertical Load(lbs)	L=18" Vertical Load(lbs)	Insulation Thickness											
			1"			1-1/2"			2"			2-1/2"		
			W	O.D.	H	W	O.D.	H	W	O.D.	H	W	O.D.	H
8"	2502	3575	6-1/2"	11-1/2"	4"	7"	12-1/2"	4"	7-1/2"	13-1/2"	4"	8-1/8"	14-3/4"	6"
10"	3119	4456	7-1/2"	13-1/2"	4"	8-1/8"	14-3/4"	4"	8-5/8"	15-3/4"	4"	9-1/8"	16-3/4"	6"
12"	3699	5285	8-1/2"	13-15/16"	4"	9-1/8"	16-3/4"	4"	9-5/8"	17-3/4"	4"	10-1/8"	18-3/4"	6"
14"	4062	5803	9-1/2"	17"	4"	10"	18"	4"	10-1/2"	19"	4"	11"	20"	6"
16"	7737	11053	10-1/2"	19"	4"	11"	20"	4"	11-1/2"	21"	6"	12"	22"	6"
18"	8704	12434	11-1/2"	21"	4"	12"	22"	4"	12-1/2"	23"	6"	13"	24"	6"
20"	9671	13816	12-1/2"	23"	4"	13"	24"	4"	13-1/2"	25"	6"	14"	26"	6"

Pipe size	L=12" Vertical Load(lbs)	L=18" Vertical Load(lbs)	Insulation Thickness								
			3"			3-1/2"			4"		
			W	O.D.	H	W	O.D.	H	W	O.D.	H
8"	2502	3575	8-5/8"	15-3/4"	6"	9-1/8"	16-3/4"	6"	9-5/8"	17-3/4"	6"
10"	3119	4456	9-5/8"	17-3/4"	6"	10-1/8"	18-3/4"	6"	10-5/8"	19-3/4"	6"
12"	3699	5285	10-5/8"	19-3/4"	6"	11-1/8"	20-3/4"	6"	11-5/8"	21-3/4"	6"
14"	4062	5803	11-1/2"	21"	6"	12"	22"	6"	12-1/2"	23"	6"
16"	7737	11053	12-1/2"	23"	6"	13"	24"	6"	13-1/2"	25"	8"
18"	8704	12434	13-1/2"	25"	6"	14"	26"	6"	14-1/2"	27"	8"
20"	9671	13816	14-1/2"	27"	6"	15"	28"	6"	15-1/2"	29"	8"