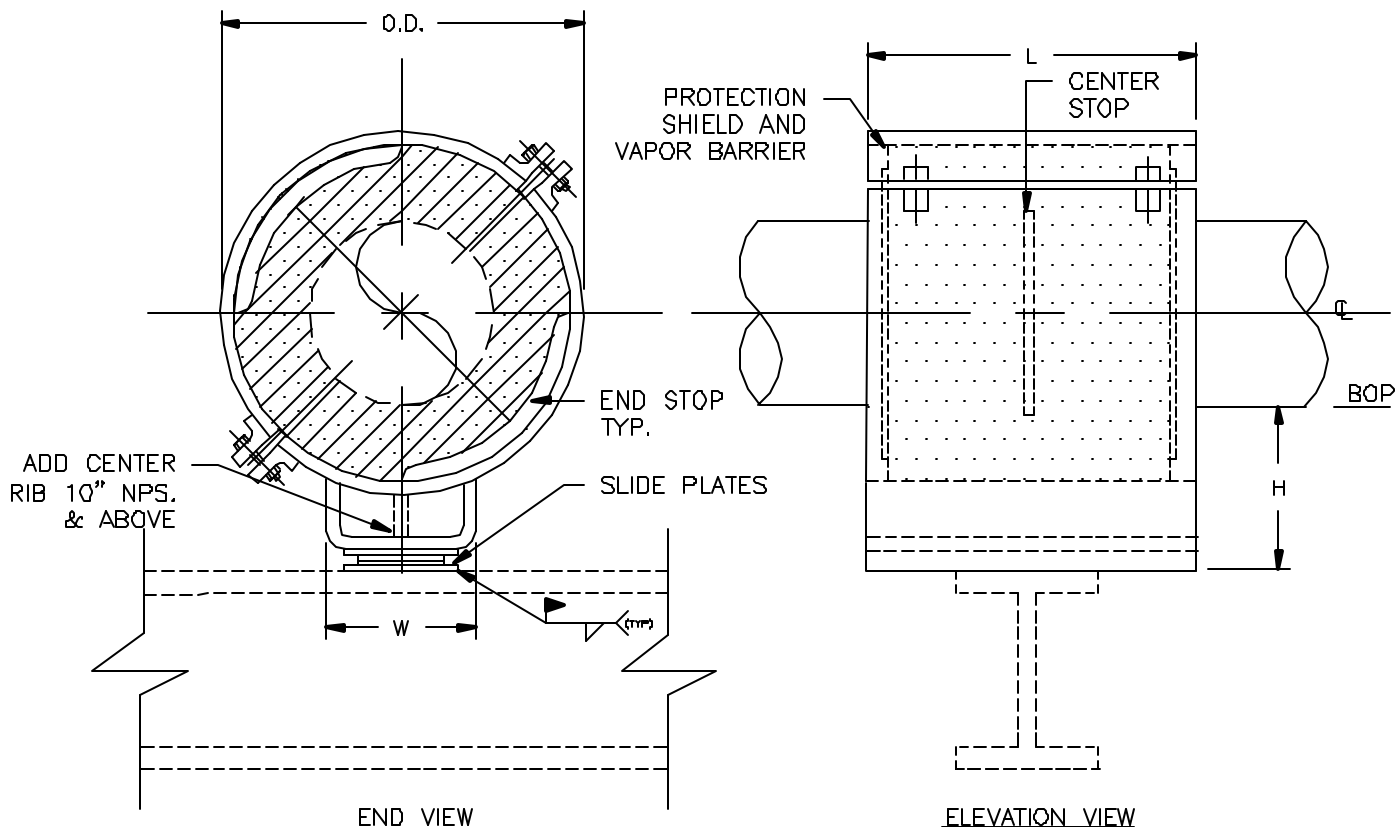


SPECIFICATIONS

INSULATION THK: _____
 SHOE LENGTH: _____
 LOADS: VERTICAL _____
 LATERAL _____
 AXIAL _____
 MOVEMENT: LATER. _____
 AXIAL _____
 TEMPERATURE: _____



Design: PT&P 6/1/1999 1:39 PM CS-3022

NOTES

FIGURE#: CS-3022 (CRYOSHOE™)
 DESCRIPTION: SLIDING SHOES, U-TYPE BASE, UNGUIDED, WITH THRUST PLATES

FUNCTION: USE TO SUPPORT VERTICAL LOADS WHILE LIMITING AXIAL AND LATERAL MOVEMENT. MOVEMENT OF PIPE INSIDE THE GOLDSHOE LIMITED BY CENTER STOP AND END STOPS.
 -
 -
 -

CLIENT NAME: _____
 PROJECT NAME: _____
 REQUISITION#: _____
 P O #: _____
 DWG#: _____
 MARK#: _____
 PT&P JOB#: _____ ITEM#: _____
 DATE: _____

PIPE SIZE: 8" TO 20" NPS.
 MATERIAL: GALVANIZED OR HDG CARBON STEEL
 INSULATION: HIGH DENSITY POLYURETHANE WITH VAPOR BARRIER

TEMP. RANGE: AMBIENT TO -300°F
 LAYERING SY.: SEE LAYERING CHARTS
 SHOE LTH.(L): STANDARD SHOE AVAILABLE IN 12" & 18" LENGTHS

TO ORDER: SPECIFY PIPE SIZE, INSULATION THK., LENGTH
 HENCE: (CS-3022)-NPS-THK.-L

LOADS: ALL LOADS ON ADJACENT CHART
 HAVE A SAFETY FACTOR OF 5

PIPING TECHNOLOGY & PRODUCTS, INC.

P.O. BOX 34506 HOUSTON TEXAS 77234
 3701 HOLMES RD. HOUSTON TEXAS 77051
 TELE#:(713)731-0030 FAX#:(713)731-8640
 http://www.pipingtech.com/ E-MAIL: info@pipingtech.com





Insulated Support Assembly Area

Pipe size	Vertical Load(lbs)	Vertical Load(lbs)	Insulation Thickness											
			1"			1-1/2"			2"			2-1/2"		
			W	O.D.	H	W	O.D.	H	W	O.D.	H	W	O.D.	H
8"	2502	3575	6-1/2"	11-1/2"	4"	7"	12-1/2"	4"	7-1/2"	13-1/2"	4"	8-1/8"	14-3/4"	6"
10"	3119	4456	7-1/2"	13-1/2"	4"	8-1/8"	14-3/4"	4"	8-5/8"	15-3/4"	4"	9-1/8"	16-3/4"	6"
12"	3699	5285	8-1/2"	13-15/16"	4"	9-1/8"	16-3/4"	4"	9-5/8"	17-3/4"	4"	10-1/8"	18-3/4"	6"
14"	4062	5803	9-1/2"	17"	4"	10"	18"	4"	10-1/2"	19"	4"	11"	20"	6"
16"	7737	11053	10-1/2"	19"	4"	11"	20"	4"	11-1/2"	21"	6"	12"	22"	6"
18"	8704	12434	11-1/2"	21"	4"	12"	22"	4"	12-1/2"	23"	6"	13"	24"	6"
20"	9671	13816	12-1/2"	23"	4"	13"	24"	4"	13-1/2"	25"	6"	14"	26"	6"

Pipe size	Vertical Load(lbs)	Vertical Load(lbs)	Insulation Thickness								
			3"			3-1/2"			4"		
			W	O.D.	H	W	O.D.	H	W	O.D.	H
8"	2502	3575	8-5/8"	15-3/4"	6"	9-1/8"	16-3/4"	6"	9-5/8"	17-3/4"	6"
10"	3119	4456	9-5/8"	17-3/4"	6"	10-1/8"	18-3/4"	6"	10-5/8"	19-3/4"	6"
12"	3699	5285	10-5/8"	19-3/4"	6"	11-1/8"	20-3/4"	6"	11-5/8"	21-3/4"	6"
14"	4062	5803	11-1/2"	21"	6"	12"	22"	6"	12-1/2"	23"	6"
16"	7737	11053	12-1/2"	23"	6"	13"	24"	6"	13-1/2"	25"	8"
18"	8704	12434	13-1/2"	25"	6"	14"	26"	6"	14-1/2"	27"	8"
20"	9671	13816	14-1/2"	27"	6"	15"	28"	6"	15-1/2"	29"	8"