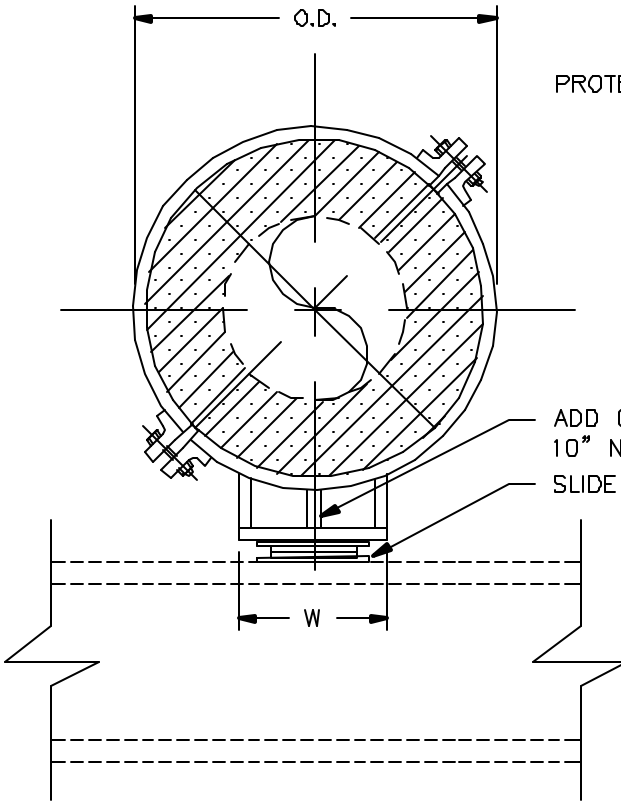
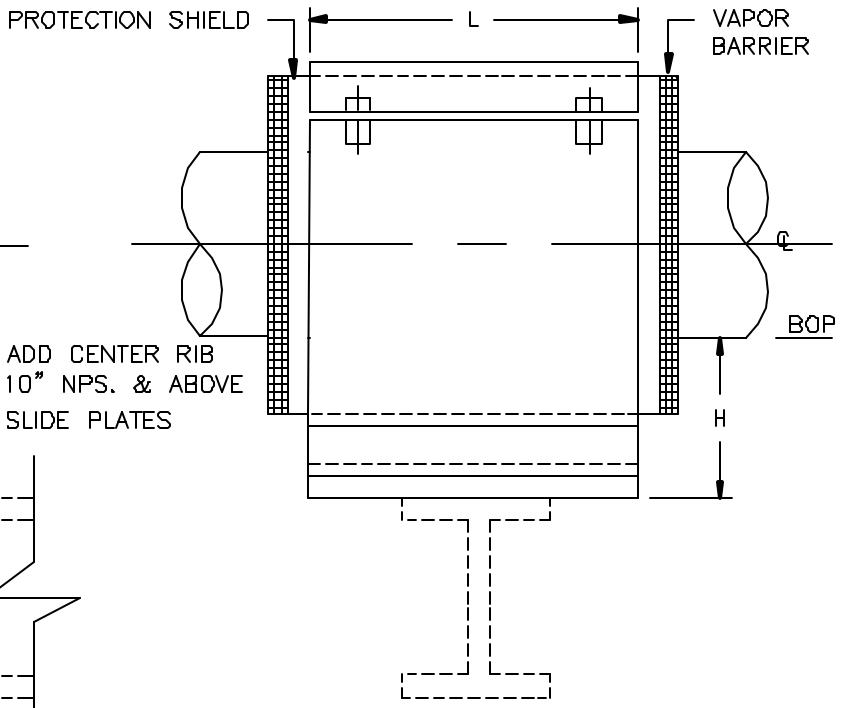


SPECIFICATIONS

INSULATION THK: _____
 SHOE LENGTH: _____
 LOADS: VERTICAL _____
 LATERAL _____
 AXIAL _____
 MOVEMENT: LATER. _____
 AXIAL _____
 TEMPERATURE: _____



END VIEW



ELEVATION VIEW

Design: PT&P 6/1/1999 2:02 PM CS-3033

NOTES

FIGURE#: CS-3033 (CRYOSHOE™)
 DESCRIPTION: SLIDING SHOES, DOUBLE-T-BASE, UNGUIDED, WITHOUT THRUST PLATES

| | |
|---------------|------------------------------------------------------------------------------------------------------------------------------------------------------|
| FUNCTION: | USE TO SUPPORT VERTICAL LOADS WHILE ALLOWING AXIAL AND LATERAL MOVEMENT. CLAMPING FORCE LIMITS MOVEMENT OF PIPE INSIDE THE COLD SHOE. - - - |
| PIPE SIZE: | 24" TO 42" NPS. |
| MATERIAL: | GALVANIZED OR HDG CARBON STEEL |
| INSULATION: | HIGH DENSITY POLYURETHANE WITH VAPOR BARRIER |
| TEMP. RANGE: | AMBIENT TO -300°F |
| LAYERING SY.: | SEE LAYERING CHARTS |
| SHOE LTH.(L): | STANDARD SHOE AVAILABLE IN 12" & 18" LENGTHS |
| TO ORDER: | SPECIFY PIPE SIZE, INSULATION THK., LENGTH HENCE: (CS-3033)-NPS-THK.-L |
| LOADS: | ALL LOADS ON ADJACENT CHART HAVE A SAFETY FACTOR OF 5 |

CLIENT NAME: _____
 PROJECT NAME: _____
 REQUISITION#: _____
 P O #: _____
 DWG#: _____
 MARK#: _____
 PT&P JOB#: _____ ITEM#: _____
 DATE: _____

PIPING TECHNOLOGY & PRODUCTS, INC.

P.O. BOX 34506 HOUSTON TEXAS 77234
 3701 HOLMES RD. HOUSTON TEXAS 77051
 TELE#:(713)731-0030 FAX#:(713)731-8640
<http://www.pipingtech.com/> E-MAIL: info@pipingtech.com





Phenolic Blocks awaiting further assembly

| Pipe size | L=12" Vertical Load(lbs) | L=18" Vertical Load(lbs) | Insulation Thickness | | | | | | | | | | | |
|-----------|-----------------------------|-----------------------------|----------------------|---------|----|---------|---------|----|---------|---------|----|---------|---------|----|
| | | | 1" | | | 1-1/2" | | | 2" | | | 2-1/2" | | |
| | | | W | O.D. | H | W | O.D. | H | W | O.D. | H | W | O.D. | H |
| 24" | 11605 | 16579 | 14-1/2" | 27" | 4" | 15" | 28" | 4" | 15-1/2" | 29" | 6" | 16" | 30" | 6" |
| 26" | 12573 | 17961 | 16-1/4" | 29-1/2" | 4" | 16-3/4" | 30-1/2" | 6" | 17-1/4" | 31-1/2" | 6" | 17-3/4" | 32-1/2" | 6" |
| 28" | 13540 | 19342 | 17-1/4" | 31-1/2" | 4" | 17-3/4" | 32-1/2" | 6" | 18-1/4" | 33-1/2" | 6" | 18-3/4" | 34-1/2" | 6" |
| 30" | 14507 | 20724 | 18-1/4" | 33-1/2" | 4" | 18-3/4" | 34-1/2" | 6" | 19-1/4" | 35-1/2" | 6" | 19-3/4" | 36-1/2" | 6" |
| 32" | 15474 | 22106 | 19-1/4" | 35-1/2" | 4" | 19-3/4" | 36-1/2" | 6" | 20-1/4" | 37-1/2" | 6" | 20-3/4" | 38-1/2" | 6" |
| 34" | 16441 | 23487 | 20-1/4" | 37-1/2" | 4" | 20-3/4" | 38-1/2" | 6" | 21-1/4" | 39-1/2" | 6" | 21-3/4" | 40-1/2" | 6" |
| 36" | 17408 | 24869 | 21-1/4" | 39-1/2" | 4" | 21-3/4" | 40-1/2" | 6" | 22-1/4" | 41-1/2" | 6" | 22-3/4" | 42-1/2" | 6" |
| 40" | 19342 | 27632 | 23-1/4" | 43-1/2" | 4" | 23-3/4" | 44-1/2" | 6" | 24-1/4" | 45-1/2" | 6" | 24-3/4" | 46-1/2" | 6" |
| 42" | 20310 | 29014 | 24-1/4" | 45-1/2" | 4" | 24-3/4" | 46-1/2" | 6" | 25-1/4" | 47-1/2" | 6" | 25-3/4" | 48-1/2" | 6" |

| Pipe size | L=12" Vertical Load(lbs) | L=18" Vertical Load(lbs) | Insulation Thickness | | | | | | | | |
|-----------|-----------------------------|-----------------------------|----------------------|---------|----|---------|---------|----|---------|---------|----|
| | | | 3" | | | 3-1/2" | | | 4" | | |
| | | | W | O.D. | H | W | O.D. | H | W | O.D. | H |
| 24" | 11605 | 16579 | 16-1/2" | 31" | 6" | 17" | 32" | 6" | 17-1/2" | 33" | 8" |
| 26" | 12573 | 17961 | 18-1/4" | 33-1/2" | 6" | 18-3/4" | 34-1/2" | 6" | 19-1/4" | 35-1/2" | 8" |
| 28" | 13540 | 19342 | 19-1/4" | 35-1/2" | 6" | 19-3/4" | 36-1/2" | 6" | 20-1/4" | 37-1/2" | 8" |
| 30" | 14507 | 20724 | 20-1/4" | 37-1/2" | 6" | 20-3/4" | 38-1/2" | 6" | 21-1/4" | 39-1/2" | 8" |
| 32" | 15474 | 22106 | 21-1/4" | 39-1/2" | 6" | 21-3/4" | 40-1/2" | 6" | 22-1/4" | 41-1/2" | 8" |
| 34" | 16441 | 23487 | 22-1/4" | 41-1/2" | 6" | 22-3/4" | 42-1/2" | 6" | 23-1/4" | 43-1/2" | 8" |
| 36" | 17408 | 24869 | 23-1/4" | 43-1/2" | 6" | 23-3/4" | 44-1/2" | 6" | 24-1/4" | 45-1/2" | 8" |
| 40" | 19342 | 27632 | 25-1/4" | 47-1/2" | 6" | 25-3/4" | 48-1/2" | 6" | 26-1/4" | 49-1/2" | 8" |
| 42" | 20310 | 29014 | 26-1/4" | 49-1/2" | 6" | 26-3/4" | 50-1/2" | 6" | 27-1/4" | 51-1/2" | 8" |