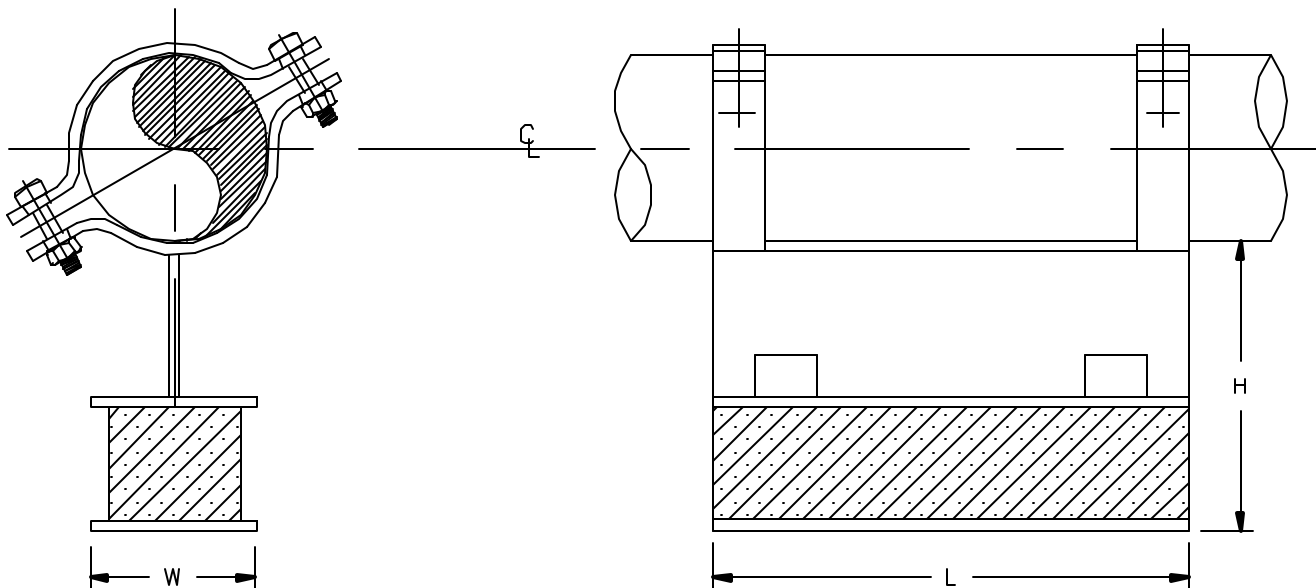


SPECIFICATIONS

INSULATION THK: _____
 SHOE LENGTH: _____
 LOADS, VERTICAL _____
 LATERAL _____
 AXIAL _____
 TEMPERATURE: _____



Design: PT&P 6/1/1999 4:58 PM CS-6020

NOTES

FIGURE#: CS-6020 (CRYOSHOE™)
 DESCRIPTION: MISCELLANEOUS SHOES, DOUBLE CLAMP PHENOLIC SUPPORT

FUNCTION:	USE TO SUPPORT UNINSULATED (FLARE) LINES. - - - - -
PIPE SIZE:	1/2" TO 42" NPS.
MATERIAL:	STAINLESS STEEL & HDG CARBON STEEL
INSULATION:	PHENOLIC (LAMINATED WOOD) BLOCK -
TEMP. RANGE:	AMBIENT TO -300°F
LAYERING SY.:	-
SHOE LTH,(L):	STANDARD SHOE AVAILABLE IN 18" LENGTH -
TO ORDER:	SPECIFY PIPE SIZE, INSULATION THK., LENGTH HENCE. (CS-6020)-NPS-THK.-L
LOADS:	ALL LOADS ON ADJACENT CHART HAVE A SAFETY FACTOR OF 5

CLIENT NAME: _____
 PROJECT NAME: _____
 REQUISITION#: _____
 P.O.#: _____
 DWG#: _____
 MARK#: _____
 PT&P JOB#: _____ ITEM#: _____
 DATE: _____

PIPING TECHNOLOGY & PRODUCTS, INC.

P.O. BOX 34506 HOUSTON TEXAS 77234
 3701 HOLMES RD. HOUSTON TEXAS 77051
 TELE#:(713)731-0030 FAX#.(713)731-8640
 http://www.pipingtech.com/ E-MAIL: info@pipingtech.com





Phenonic Blocks used for F-2 and F-3 Cryogenic Supports

	L=12"	L=18"		
Pipe size	Vertical Load(kips)	Vertical Load(kips)	W	H
1/2"	285.408	428.112	4"	4"
3/4"	285.408	428.112	4"	4"
1"	285.408	428.112	4"	4"
1-1/4"	285.408	428.112	4"	4"
1-1/2"	285.408	428.112	4"	4"
2"	285.408	428.112	4"	4"
2-1/2"	285.408	428.112	4"	4"
3"	428.112	642.168	6"	6"
3-1/2"	428.112	642.168	6"	6"
4"	428.112	642.168	6"	6"
5"	428.112	642.168	6"	6"
6"	428.112	642.168	6"	6"
8"	570.816	856.224	8"	6"
10"	570.816	856.224	8"	6"
12"	856.224	1284.336	12"	6"
14"	856.224	1284.336	12"	6"
16"	1070.28	1605.42	15"	6"
18"	1141.632	1712.448	16"	8"
20"	1284.336	1926.504	18"	8"
22"	1569.744	2354.616	22"	8"
24"	1569.744	2354.616	22"	8"
26"	1569.744	2354.616	22"	8"
28"	1569.744	2354.616	22"	8"
30"	1569.744	2354.616	22"	8"
32"	1569.744	2354.616	22"	8"
36"	1855.152	2782.728	26"	8"
42"	2140.56	3210.84	30"	8"