



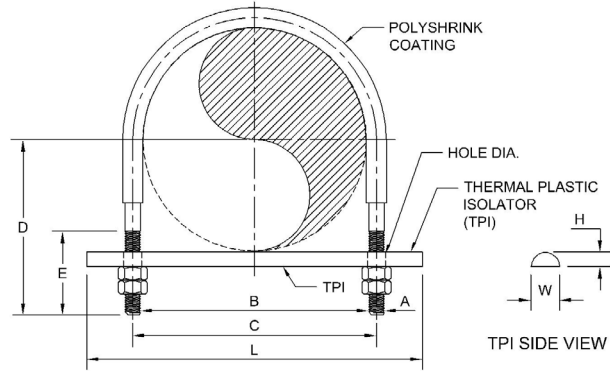
FIG. 100-TPI

LONG TANGENT U-BOLT WITH TPI & POLYSHRINK

www.pipingtech.com/fig100-TPI

- MATERIAL:** Carbon steel
- FINISH:** Black or Galvanized with Polyshrink (furnished black unless otherwise specified.)
- ORDERING:** Specify figure number, pipe size, description and finish, operating temperature and any other special requirements

- NOTE:**
- U-bolts are furnished with four hexagon nuts, thermal plastic isolator (TPI) and polyshrink coating
 - Special U-bolts with longer tangents, threads and special material can be furnished as specified
 - TPI color = white
 - Maximum Service Temperature = 181°F
 - Coefficient of friction = 0.25
 - Compressive strength = 15,000 psi
 - Higher temperature TPI are available on request
 - Polyshrink: Tensile Strength = 2,100 psi



SUPPORT ASSEMBLY COMPONENTS

SIZE	MAX. RECOM. LOAD (lb.)	Rod Dia	B	C	D	E	TPI			
							L	Hole Dia.	W	H
1/2	580	1/4	1	1 7/16	3 1/2	3 1/2	2 1/2	3/8	3/4	5/16
3/4	580	1/4	1 3/16	1 5/8	3 5/8	3 1/2	3	3/8	3/4	5/16
1	580	1/4	1 1/2	1 15/16	3 3/4	3 1/2	3	3/8	3/4	5/16
1 1/4	1460	3/8	1 13/16	2 3/8	3 7/8	3 1/2	3 1/2	1/2	1	7/16
1 1/2	1460	3/8	2 1/16	2 5/8	4	3 1/2	4	1/2	1	7/16
2	1460	3/8	2 1/2	3 1/16	1 1/4	3 1/2	4 1/2	1/2	1	7/16
2 1/2	2700	1/2	3	3 11/16	4 3/4	4	5	5/8	1	7/16
3	2700	1/2	3 5/8	4 5/16	5	4	6	5/8	1	7/16
3 1/2	2700	1/2	4 1/8	4 13/16	5 1/4	4	7	5/8	1	7/16
4	2700	1/2	4 5/8	5 5/16	5 1/2	4	7	5/8	1	7/16
5	2700	1/2	5 5/8	6 5/16	6	4	8	5/8	1	7/16
6	4320	5/8	6 3/4	7 9/16	7 1/8	4 3/4	9	11/16	1	7/16
8	4320	5/8	8 3/4	9 9/16	8 1/8	4 3/4	11	11/16	1	7/16
10	6460	3/4	10 7/8	11 13/16	9 3/8	5	3 1/2	7/8	1 1/2	11/16
12	9960	7/8	12 7/8	13 15/16	10 5/8	5 1/4	16	1	1 1/2	11/16
14	9960	7/8	14 1/8	15 3/16	11 1/4	5 1/4	17	1	1 1/2	11/16
16	9960	7/8	16 1/8	17 3/16	12 1/4	5 1/4	19	1	1 1/2	11/16
18	11800	1	18 1/8	19 15/16	13 5/8	5 3/4	21 1/2	1 1/8	1 1/2	11/16
20	11800	1	20 1/8	21 15/16	14 5/8	5 3/4	23 1/2	1 1/8	1 1/2	11/16
24	11800	1	24 1/8	25 5/16	16 5/8	5 3/4	27 1/2	1 1/8	1 1/2	11/16
30	11800	1	30 1/8	31 5/16	19 5/8	5 3/4	33 1/2	1 1/8	1 1/2	11/16
36	11800	1	36 1/8	37 5/16	22 5/8	5 3/4	39 1/2	1 1/8	1 1/2	11/16