

FIG. 260

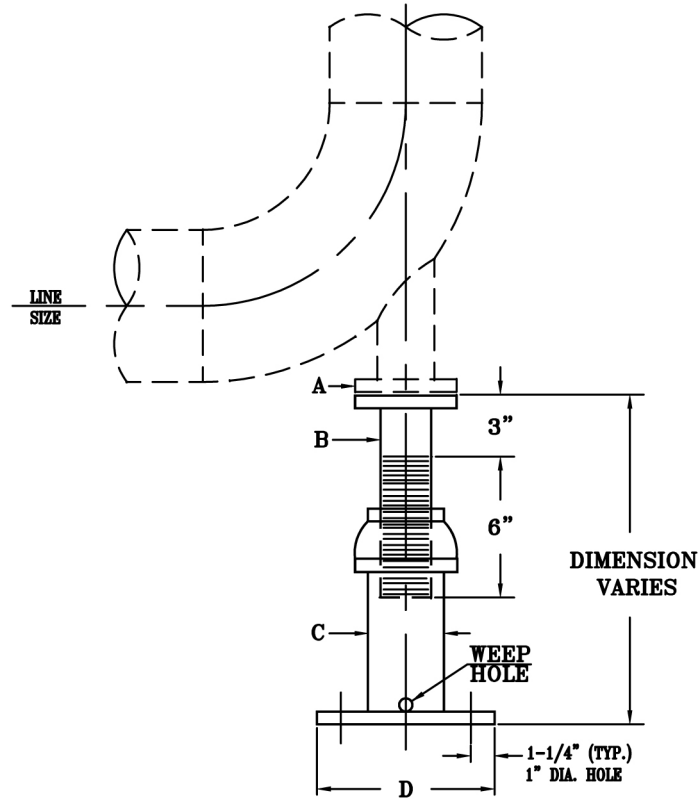


ADJUSTABLE ELBOW SUPPORT

SUPPORT ASSEMBLY COMPONENTS

www.pipingtech.com/fig260

- FINISH:** Black, galvanized or painted.
 - SERVICE:** General piping.
 - ORDERING:** Specify figure number, pipe size, description, finish and height.
- *Max load varies based on height



PIPE SIZE	PLATE SIZE A	PIPE SIZE B	PIPE SIZE C	PLATE SIZE D	MAX LOAD*
3	5 x 1/4	1 1/2	2 1/2	8 x 8 x 3/8	2,000
4	6 x 1/4	2	3	8 x 8 x 3/8	3,800
6	6 x 1/4	2	3	8 x 8 x 3/8	3,800
8	7 x 3/8	3	4	8 x 8 x 1/2	3,800
10	7 x 3/8	3	4	8 x 8 x 1/2	3,800
12	9 x 3/8	4	6	10 x 10 x 3/4	3,800
14	9 x 3/8	4	6	10 x 10 x 3/4	5,300
16	11 x 3/8	6	8	12 x 12 x 3/4	5,300
18	11 x 3/8	6	8	12 x 12 x 3/4	6,700

SCOMPONENTS06.XLS-04/22/17