



FIG. 550 & 555

VIBRATION CONTROL & SWAY BRACE

ENGINEERED SPRING SUPPORTS

www.pipingtech.com/fig550-555

FIG. 550

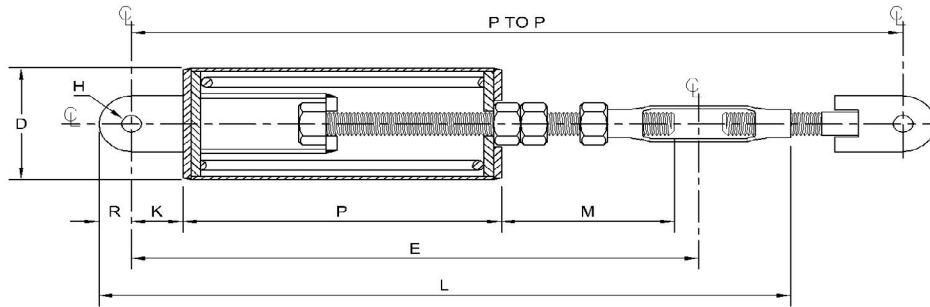


FIG. 555

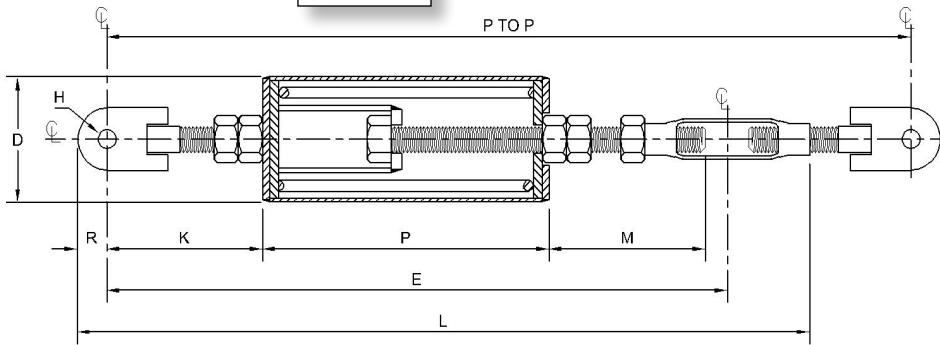


FIG. 550

SWAY BRACE SIZE	FOR PIPE SIZE	PRELOAD & SPRING SCALE lb.	MAX. FORCE lb.	WEIGHT (approx.) EACH lb.	ROD SIZE	EYE (H)		D	ROD TAKEOUT		K	L	M	P	R
						DIA. OF HOLE	THICKNESS		E						
1	2 to 3 1/2	50	200	22	3/4	15/16	3/8	4 1/2	17 1/2	1 1/2	22 7/8	6 1/8	8 3/8	1 1/4	
2	4 to 8	150	600	25	1	1 1/4	1/2	4 1/2	20 1/2	2	26 3/8	7 1/4	9 5/8	1 1/2	
3	10 to 16	450	1,800	36	1	1 1/4	1/2	4 1/2	23 5/8	2	29 3/4	7 1/8	13	1 1/2	
4	18 to 24	900	3,600	64	1 1/4	1 1/2	5/8	6 5/8	24	3	30 9/16	8	11 1/2	2	
5	18 to 24	1,350	5,400	79	1 1/2	1 3/4	3/4	6 5/8	26 7/8	3	34 1/4	8 7/8	13 1/2	2 1/2	
6	18 to 24	1,800	7,200	95	1 1/2	1 3/4	3/4	6 5/8	28 7/8	3	36 1/4	8 7/8	15 1/2	2 1/2	

FIG. 555

SWAY BRACE SIZE	FOR PIPE SIZE	PRELOAD & SPRING SCALE lb.	MAX. FORCE lb.	WEIGHT (approx.) EACH lb.	ROD SIZE	EYE (H)		D	ROD TAKEOUT		K	L	M	P	R
						DIA. OF HOLE	THICKNESS		E						
1	2 to 3 1/2	50	200	23	3/4	15/16	3/8	4 1/2	22 1/2	6 1/2	27 7/8	6 1/8	8 3/8	1 1/4	
2	4 to 8	150	600	26	1	1 1/4	1/2	4 1/2	25 1/2	7 3/16	31 5/8	7 1/4	9 5/8	1 1/2	
3	10 to 16	450	1,800	38	1	1 1/4	1/2	4 1/2	28 1/2	6 7/8	34 1/2	7 1/8	13	1 1/2	
4	18 to 24	900	3,600	67	1 1/4	1 1/2	5/8	6 5/8	29 1/2	8 1/2	36 1/16	8	11 1/2	2	
5	18 to 24	1,350	5,400	82	1 1/2	1 3/4	3/4	6 5/8	32 7/8	9	40 1/4	8 7/8	13 1/2	2 1/2	
6	18 to 24	1,800	7,200	98	1 1/2	1 3/4	3/4	6 5/8	34 7/8	9	42 1/4	8 7/8	15 1/2	2 1/2	

VLDEVICES.XLS-04/22/17