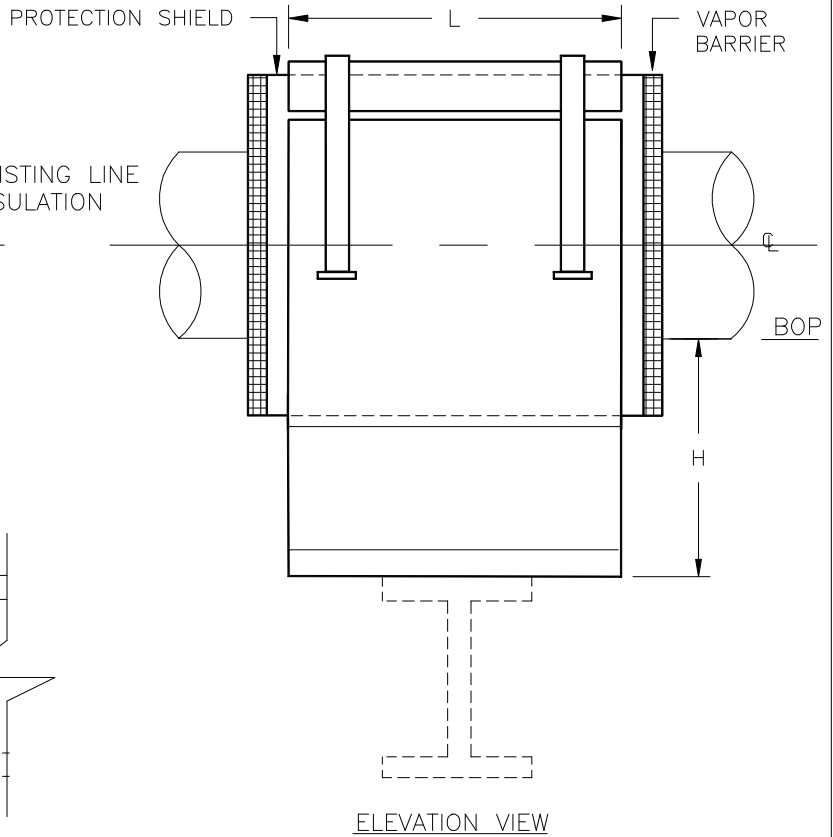
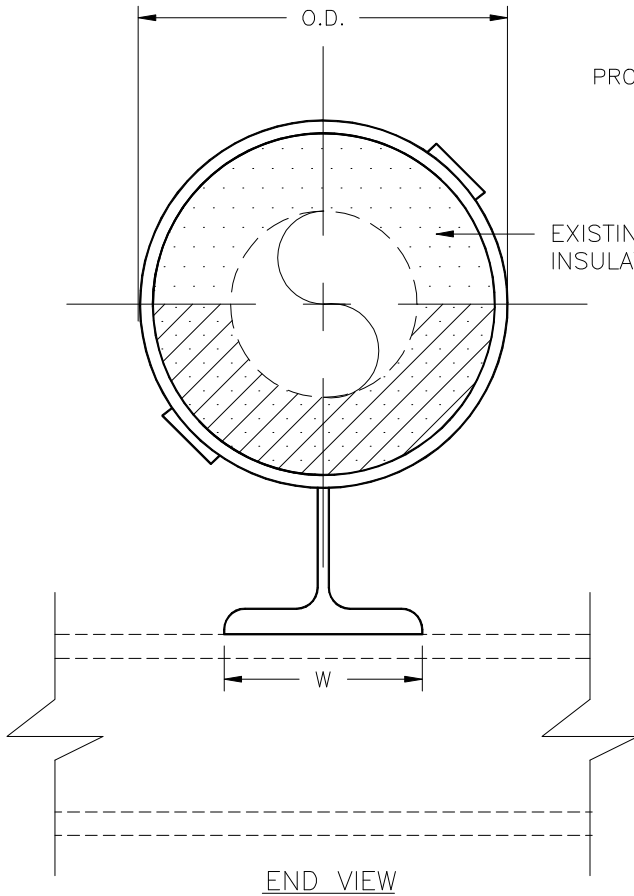


## SPECIFICATIONS

INSULATION THK: \_\_\_\_\_  
 SHOE LENGTH: \_\_\_\_\_  
 LOADS: VERTICAL \_\_\_\_\_  
           LATERAL \_\_\_\_\_  
           AXIAL \_\_\_\_\_  
 TEMPERATURE: \_\_\_\_\_



Design, PT&P 6/2/1999 10:33 AM HS-1010

## NOTES

FIGURE#: HS-1010  
 DESCRIPTION: RESTING SHOE, SPLIT-T BASE,  
 180° INS., WITH BANDSTRAPS

FUNCTION:	USE TO SUPPORT VERTICAL LOADS. - - - - -
PIPE SIZE:	1/2" TO 6" NPS.
MATERIAL:	GALVANIZED OR HDG CARBON STEEL
INSULATION:	HIGH DENSITY CALCIUM SILICATE -
TEMP. RANGE:	AMBIENT TO 1200°F
LAYERING SY.:	SEE LAYERING CHARTS
SHOE LTH,(L):	STANDARD SHOE AVAILABLE IN 12" & 18" LENGTHS
TO ORDER:	SPECIFY PIPE SIZE, INSULATION THK., LENGTH HENCE: (HS-1010)-NPS-THK.-L
LOADS:	ALL LOADS ON ADJACENT CHART HAVE A SAFETY FACTOR OF 5

CLIENT NAME: \_\_\_\_\_  
 PROJECT NAME: \_\_\_\_\_  
 REQUISITION#: \_\_\_\_\_  
 P.O.#: \_\_\_\_\_  
 DWG#: \_\_\_\_\_  
 MARK#: \_\_\_\_\_  
 PT&P JOB#: \_\_\_\_\_ ITEM#: \_\_\_\_\_  
 DATE: \_\_\_\_\_

## PIPING TECHNOLOGY & PRODUCTS, INC.

P.O. BOX 34506                      HOUSTON TEXAS 77234  
 3701 HOLMES RD.                    HOUSTON TEXAS 77051  
 TELE#:(713)731-0030                FAX#:(713)731-8640  
<http://www.pipingtech.com/>        E-MAIL: info@pipingtech.com





Hotshoes under inspection

Pipe size	L=12" Vertical Load(lbs)	L=18" Vertical Load(lbs)	Insulation Thickness								
			1"			1-1/2"			2"		
			W	O.D.	H	W	O.D.	H	W	O.D.	H
1/2"	69.63	139.27	3"	3-1/8"	4"	3"	4-1/4"	4"	3"	5-1/4"	4"
3/4"	87.04	174.08	3"	3-1/8"	4"	3"	4-1/4"	4"	3"	5-1/4"	4"
1"	109.01	218.02	3"	3-3/4"	4"	3"	4-3/4"	4"	3"	5-13/16"	4"
1-1/4"	137.61	275.21	3"	3-3/4"	4"	3"	5-1/4"	4"	3"	5-13/16"	4"
1-1/2"	157.50	315.00	3"	4-1/4"	4"	3"	5-1/4"	4"	3"	6-7/8"	4"
2"	196.88	393.76	4"	5"	4"	4"	6-1/16"	4"	4"	7-1/4"	4"
2-1/2"	238.33	476.65	4"	5-1/2"	4"	4"	7-1/8"	4"	4"	8-1/8"	4"
3"	290.14	580.27	4"	6-1/16"	4"	4"	7-1/8"	4"	4"	8-1/8"	4"
3-1/2"	331.58	663.17	4"	7-1/8"	4"	4"	8-1/8"	4"	4"	9-1/8"	4"
4"	373.03	746.06	4"	7-1/8"	4"	4"	8-1/8"	4"	4"	9-1/8"	4"
5"	461.11	922.22	4"	8-1/8"	4"	4"	9-1/8"	4"	4"	10-1/8"	4"
6"	549.19	1098.37	6"	9-15/16"	4"	6"	10-3/8"	4"	6"	11-1/2"	4"

Pipe size	L=12" Vertical Load(lbs)	L=18" Vertical Load(lbs)	Insulation Thickness											
			2-1/2"			3"			3-1/2"			4"		
			W	O.D.	H	W	O.D.	H	W	O.D.	H	W	O.D.	H
1/2"	69.63	139.27	3"	6-7/8"	4"	3"	7-7/8"	6"	3"	8-7/8"	6"	3"	9-7/8"	6"
3/4"	87.04	174.08	3"	6-7/8"	4"	3"	7-7/8"	6"	3"	8-7/8"	6"	3"	9-7/8"	6"
1"	109.01	218.02	3"	6-7/8"	4"	3"	7-7/8"	6"	3"	8-7/8"	6"	3"	9-7/8"	6"
1-1/4"	137.61	275.21	3"	6-7/8"	4"	3"	7-7/8"	6"	3"	8-7/8"	6"	3"	9-7/8"	6"
1-1/2"	157.50	315.00	3"	7-7/8"	4"	3"	8-7/8"	6"	3"	9-7/8"	6"	3"	11"	6"
2"	196.88	393.76	4"	8-1/8"	4"	4"	9-1/8"	6"	4"	10-1/8"	6"	4"	11-1/4"	6"
2-1/2"	238.33	476.65	4"	9-1/8"	4"	4"	10-1/8"	6"	4"	11-1/4"	6"	4"	12-1/4"	6"
3"	290.14	580.27	4"	9-1/8"	4"	4"	10-1/8"	6"	4"	11-1/4"	6"	4"	12-1/4"	6"
3-1/2"	331.58	663.17	4"	10-1/8"	4"	4"	11-1/4"	6"	4"	12-1/4"	6"	4"	13-1/4"	6"
4"	373.03	746.06	4"	10-1/8"	4"	4"	11-1/4"	6"	4"	12-1/4"	6"	4"	13-1/4"	6"
5"	461.11	922.22	4"	11-1/4"	4"	4"	12-1/4"	6"	4"	13-1/4"	6"	4"	14-1/2"	6"
6"	549.19	1098.37	6"	12-1/2"	4"	6"	13-1/2"	6"	6"	14-3/4"	6"	6"	15-3/4"	6"