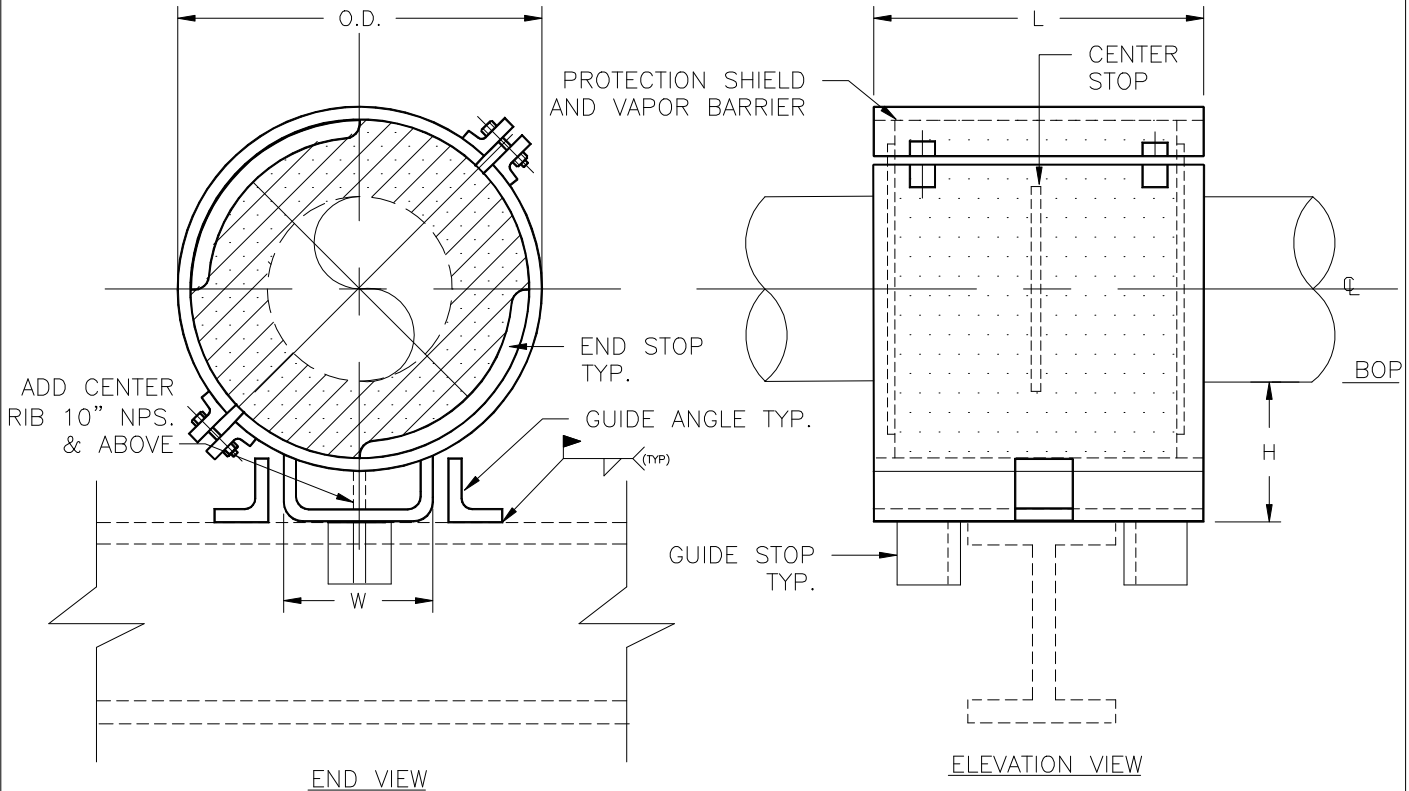


SPECIFICATIONS

INSULATION THK: _____
 SHOE LENGTH: _____
 LOADS: VERTICAL _____
 LATERAL _____
 AXIAL _____
 TEMPERATURE: _____

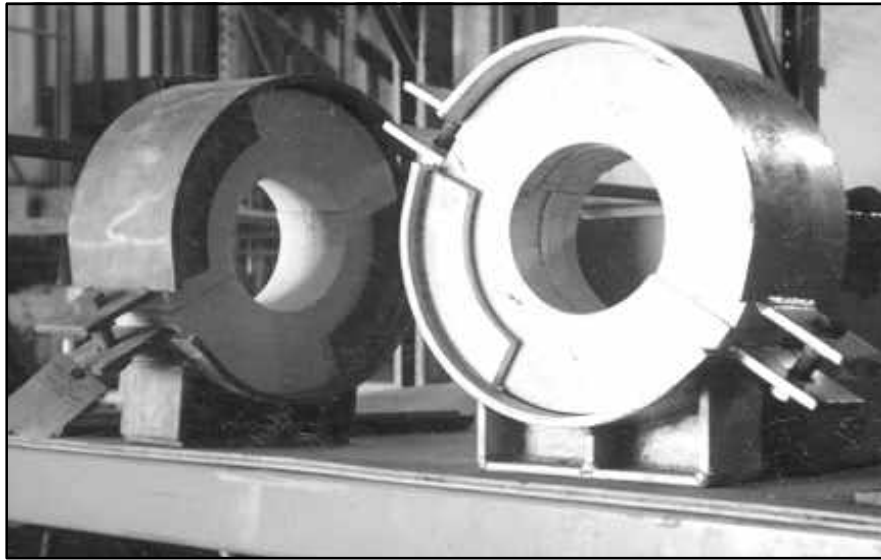


Design, PT&P 6/2/1999 11:20 AM HS-2021

NOTES

	FIGURE#: HS-2021 DESCRIPTION: ANCHOR TYPE SHOE, U-TYPE BASE, STOPS AND GUIDES
FUNCTION: USE TO SUPPORT VERTICAL LOADS WHILE LIMITING AXIAL & LATERAL MOVEMENT WITH THE USE OF GUIDES AND STOPS. MOVEMENT OF PIPE INSIDE THE HOTSHOE LIMITED BY CENTER STOP AND END STOPS. - -	CLIENT NAME: _____ PROJECT NAME: _____ REQUISITION#: _____ P.O.#: _____ DWG#: _____ MARK#: _____ PT&P JOB#: _____ ITEM#: _____ DATE: _____
PIPE SIZE: 8" TO 20" NPS.	
MATERIAL: GALVANIZED OR HDG CARBON STEEL	
INSULATION: HIGH DENSITY CALCIUM SILICATE -	
TEMP. RANGE: AMBIENT TO 1200°F	
LAYERING SY.: SEE LAYERING CHARTS	
SHOE LTH,(L): STANDARD SHOE AVAILABLE IN 12" & 18" LENGTHS	
TO ORDER: SPECIFY PIPE SIZE, INSULATION THK., LENGTH HENCE: (HS-2021)-NPS-THK.-L	
LOADS: ALL LOADS ON ADJACENT CHART HAVE A SAFETY FACTOR OF 5	
<h3 style="margin: 0;">PIPING TECHNOLOGY & PRODUCTS, INC.</h3> <p style="margin: 0;"> P.O. BOX 34506 HOUSTON TEXAS 77234 3701 HOLMES RD. HOUSTON TEXAS 77051 TELE#:(713)731-0030 FAX#:(713)731-8640 http://www.pipingtech.com/ E-MAIL: info@pipingtech.com </p>	





Anchored Hotshoes with End Stops

Pipe size	L=12" Vertical Load(lbs)	L=18" Vertical Load(lbs)	Insulation Thickness															
			1"				1-1/2"				2"				2-1/2"			
			W	Axial load (lbs.)	O.D.	H	W	Axial load (lbs.)	O.D.	H	W	Axial load (lbs.)	O.D.	H	W	Axial load (lbs.)	O.D.	H
8"	4290	6435	6-1/2"	4536	11-1/2"	4"	7"	5419	12-1/2"	4"	7-1/2"	5890	13-1/2"	4"	8-1/8"	7693	14-3/4"	6"
10"	5347	8020	7-1/2"	6381	13-1/2"	4"	8-1/8"	7693	14-3/4"	4"	8-5/8"	8831	15-3/4"	4"	9-1/8"	10048	16-3/4"	6"
12"	6342	9512	8-1/2"	8831	13-15/16"	4"	9-1/8"	10048	16-3/4"	4"	9-5/8"	11343	17-3/4"	4"	10-1/8"	12717	18-3/4"	6"
14"	6963	10445	9-1/2"	10048	17"	4"	10"	11343	18"	4"	10-1/2"	12717	19"	4"	11"	14169	20"	6"
16"	7958	11937	10-1/2"	12717	19"	4"	11"	14169	20"	4"	11-1/2"	15700	21"	6"	12"	17309	22"	6"
18"	8953	13429	11-1/2"	15700	21"	4"	12"	17309	22"	4"	12-1/2"	18997	23"	6"	13"	20763	24"	6"
20"	9948	14921	12-1/2"	18997	23"	4"	13"	20763	24"	4"	13-1/2"	22608	25"	6"	14"	24531	26"	6"

Pipe size	L=12" Vertical Load(lbs)	L=18" Vertical Load(lbs)	Insulation Thickness											
			3"				3-1/2"				4"			
			W	Axial load (lbs.)	O.D.	H	W	Axial load (lbs.)	O.D.	H	W	Axial load (lbs.)	O.D.	H
8"	1668	3575	8-5/8"	8831	15-3/4"	6"	9-1/8"	10048	16-3/4"	6"	9-5/8"	11343	17-3/4"	6"
10"	3119	4456	9-5/8"	11343	17-3/4"	6"	10-1/8"	12717	18-3/4"	6"	10-5/8"	14169	19-3/4"	6"
12"	3699	5285	10-5/8"	14169	19-3/4"	6"	11-1/8"	15700	20-3/4"	6"	11-5/8"	17309	21-3/4"	6"
14"	4062	5803	11-1/2"	15700	21"	6"	12"	17309	22"	6"	12-1/2"	18997	23"	6"
16"	4642	11053	12-1/2"	18997	23"	6"	13"	20763	24"	6"	13-1/2"	22608	25"	8"
18"	8704	12434	13-1/2"	22608	25"	6"	14"	24531	26"	6"	14-1/2"	26533	27"	8"
20"	9671	13816	14-1/2"	26533	27"	6"	15"	28613	28"	6"	15-1/2"	30772	29"	8"