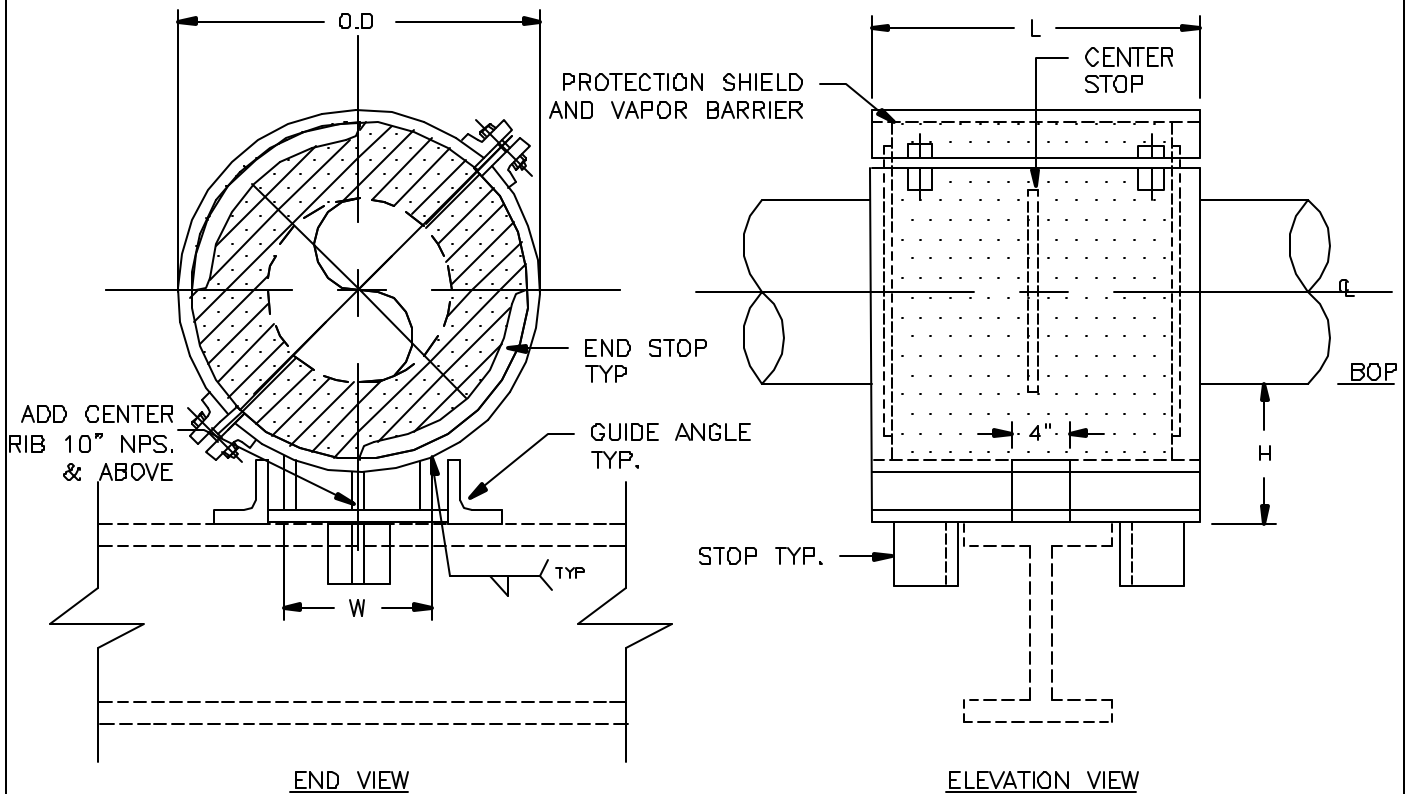


## SPECIFICATIONS

INSULATION THK: \_\_\_\_\_  
 SHOE LENGTH: \_\_\_\_\_  
 LOADS: VERTICAL \_\_\_\_\_  
           LATERAL \_\_\_\_\_  
           AXIAL \_\_\_\_\_  
 TEMPERATURE: \_\_\_\_\_



Design, PT&P 6/2/1999 11:27 AM HS-2031

## NOTES

FIGURE#: HS-2031  
 DESCRIPTION: ANCHOR TYPE SHOE, DOUBLE-T-BASE, STOPS AND GUIDES

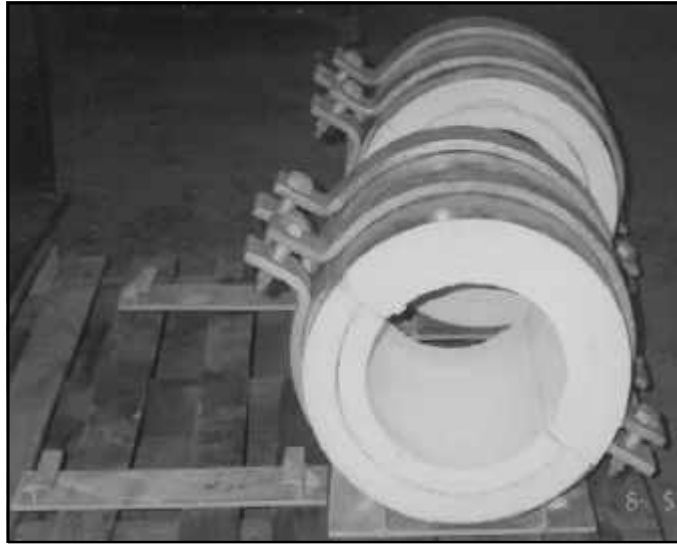
CLIENT NAME: \_\_\_\_\_  
 PROJECT NAME: \_\_\_\_\_  
 REQUISITION#: \_\_\_\_\_  
 P.O.#: \_\_\_\_\_  
 DWG#: \_\_\_\_\_  
 MARK#: \_\_\_\_\_  
 PT&P JOB#: \_\_\_\_\_ ITEM#: \_\_\_\_\_  
 DATE: \_\_\_\_\_

FUNCTION	USE TO SUPPORT VERTICAL LOADS WHILE LIMITING AXIAL & LATERAL MOVEMENT WITH THE USE OF GUIDES AND STOPS. MOVEMENT OF PIPE INSIDE THE HOTSHOE LIMITED BY CENTER STOP AND END STOPS. - -
PIPE SIZE	24" TO 42" NPS.
MATERIAL	GALVANIZED OR HOG CARBON STEEL
INSULATION	HIGH DENSITY CALCIUM SILICATE -
TEMP. RANGE	AMBIENT TO 1200°F
LAYERING SY	SEE LAYERING CHARTS
SHOE LTH.(L)	STANDARD SHOE AVAILABLE IN 12" & 18" LENGTHS
TO ORDER	SPECIFY PIPE SIZE, INSULATION THK., LENGTH HENCE: (HS-2031)-NPS-THK.-L
LOADS	ALL LOADS ON ADJACENT CHART HAVE A SAFETY FACTOR OF 5

## PIPING TECHNOLOGY & PRODUCTS, INC.

P.O. BOX 34506                      HOUSTON TEXAS 77234  
 3701 HOLMES RD.                    HOUSTON TEXAS 77051  
 TELE#:(713)731-0030                FAX#:(713)731-8640  
<http://www.pipingtech.com/>        E-MAIL: info@pipingtech.com





Guided Hotshoes

Pipe size	L=12" Vertical Load(lbs)	L=18" Vertical Load(lbs)	Insulation Thickness															
			1"				1-1/2"				2"				2-1/2"			
			W	Axial load (lbs.)	O.D.	H	W	Axial load (lbs.)	O.D.	H	W	Axial load (lbs.)	O.D.	H	W	Axial load (lbs.)	O.D.	H
24"	11937	17906	14-1/2"	26533	27"	4"	15"	28613	28"	4"	15-1/2"	30772	29"	6"	16"	33009	30"	6"
26"	12932	19398	16-1/4"	30772	29-1/2"	4"	16-3/4"	33009	30-1/2"	6"	17-1/4"	35325	31-1/2"	6"	17-3/4"	37719	32-1/2"	6"
28"	13927	20890	17-1/4"	35325	31-1/2"	4"	17-3/4"	37719	32-1/2"	6"	18-1/4"	40192	33-1/2"	6"	18-3/4"	42743	34-1/2"	6"
30"	14921	22382	18-1/4"	40192	33-1/2"	4"	18-3/4"	42743	34-1/2"	6"	19-1/4"	45373	35-1/2"	6"	19-3/4"	48081	36-1/2"	6"
32"	15916	23874	19-1/4"	45373	35-1/2"	4"	19-3/4"	48081	36-1/2"	6"	20-1/4"	50868	37-1/2"	6"	20-3/4"	53733	38-1/2"	6"
34"	16911	25366	20-1/4"	50868	37-1/2"	4"	20-3/4"	53733	38-1/2"	6"	21-1/4"	56677	39-1/2"	6"	21-3/4"	59699	40-1/2"	6"
36"	17906	26858	21-1/4"	56677	39-1/2"	4"	21-3/4"	59699	40-1/2"	6"	22-1/4"	62800	41-1/2"	6"	22-3/4"	65979	42-1/2"	6"
40"	19895	29843	23-1/4"	69237	43-1/2"	4"	23-3/4"	72573	44-1/2"	6"	24-1/4"	75988	45-1/2"	6"	24-3/4"	79481	46-1/2"	6"
42"	20890	31335	24-1/4"	75988	45-1/2"	4"	24-3/4"	79481	46-1/2"	6"	25-1/4"	83053	47-1/2"	6"	25-3/4"	86703	48-1/2"	6"

Pipe size	L=12" Vertical Load(lbs)	L=18" Vertical Load(lbs)	Insulation Thickness											
			3"				3-1/2"				4"			
			W	Axial load (lbs.)	O.D.	H	W	Axial load (lbs.)	O.D.	H	W	Axial load (lbs.)	O.D.	H
24"	11937	17906	16-1/2"	35325	31"	6"	17"	37719	32"	6"	17-1/2"	40192	33"	8"
26"	12932	19398	18-1/4"	40192	33-1/2"	6"	18-3/4"	42743	34-1/2"	6"	19-1/4"	45373	35-1/2"	8"
28"	13927	20890	19-1/4"	45373	35-1/2"	6"	19-3/4"	48081	36-1/2"	6"	20-1/4"	50868	37-1/2"	8"
30"	14921	22382	20-1/4"	50868	37-1/2"	6"	20-3/4"	53733	38-1/2"	6"	21-1/4"	56677	39-1/2"	8"
32"	15916	23874	21-1/4"	56677	39-1/2"	6"	21-3/4"	59699	40-1/2"	6"	22-1/4"	62800	41-1/2"	8"
34"	16911	25366	22-1/4"	62800	41-1/2"	6"	22-3/4"	65979	42-1/2"	6"	23-1/4"	69237	43-1/2"	8"
36"	17906	26858	23-1/4"	69237	43-1/2"	6"	23-3/4"	72573	44-1/2"	6"	24-1/4"	75988	45-1/2"	8"
40"	19895	29843	25-1/4"	83053	47-1/2"	6"	25-3/4"	86703	48-1/2"	6"	26-1/4"	90432	49-1/2"	8"
42"	20890	31335	26-1/4"	90432	49-1/2"	6"	26-3/4"	94239	50-1/2"	6"	27-1/4"	98125	51-1/2"	8"