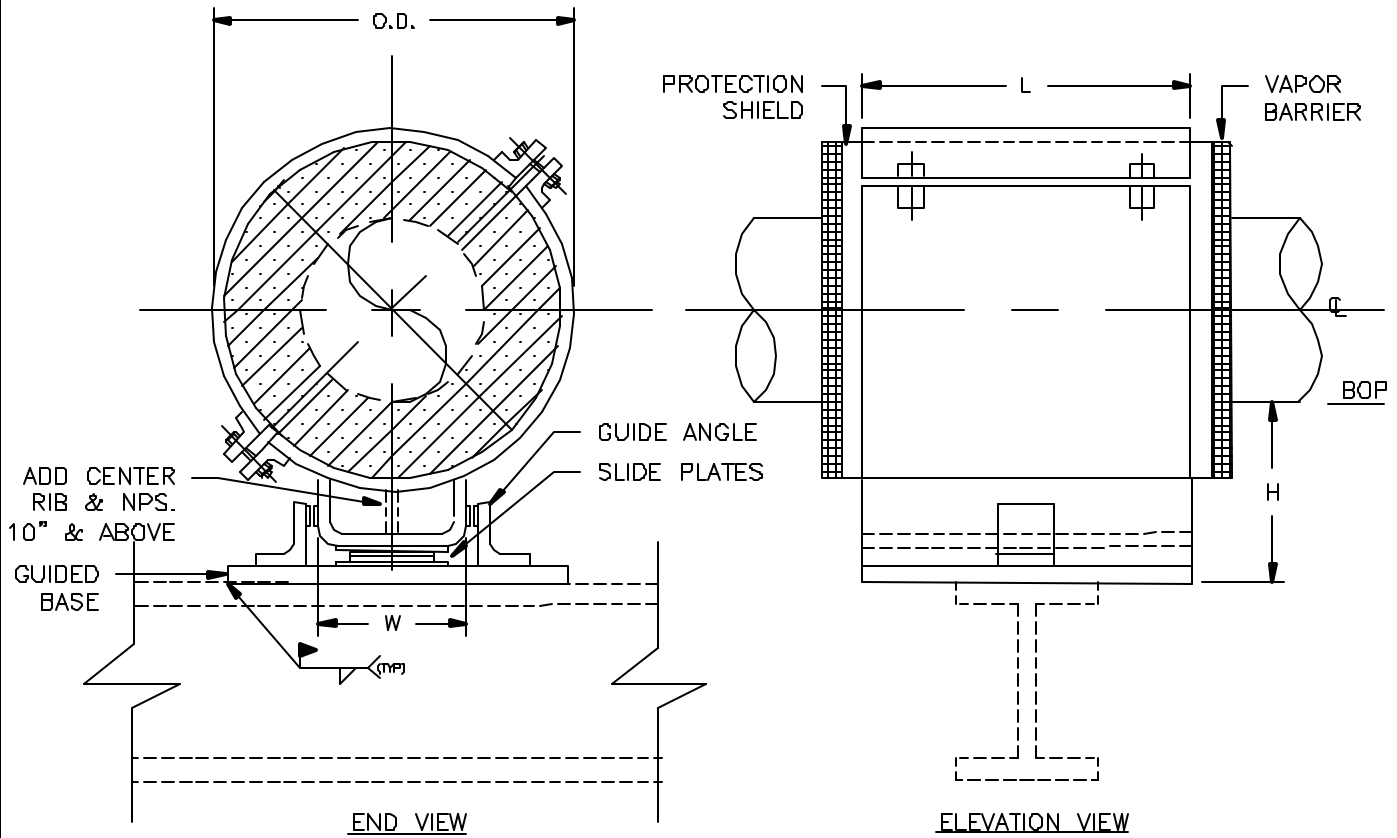


## SPECIFICATIONS

INSULATION THK: \_\_\_\_\_  
 SHOE LENGTH: \_\_\_\_\_  
 LOADS: VERTICAL \_\_\_\_\_  
           LATERAL \_\_\_\_\_  
           AXIAL \_\_\_\_\_  
 MOVEMENT: LATER. \_\_\_\_\_  
               AXIAL \_\_\_\_\_  
 TEMPERATURE: \_\_\_\_\_



Design: PT&P 6/2/1999 11:45 AM HS-3021

## NOTES

FIGURE#: HS-3021  
 DESCRIPTION: SLIDING SHOES, U-TYPE BASE, GUIDED, WITHOUT THRUST PLATES

FUNCTION:	USE TO SUPPORT VERTICAL LOADS. LATERAL MOVEMENT LIMITED BY GUIDES. CLAMPING FORCE LIMITS MOVEMENT OF PIPE INSIDE THE HOTSHOES. SHOE ALLOWED TO SLIDE IN AXIAL DIRECTION.
PIPE SIZE:	8" TO 20" NPS.
MATERIAL:	GALVANIZED OR HDG CARBON STEEL
INSULATION:	HIGH DENSITY CALCIUM SILICATE
TEMP. RANGE:	AMBIENT TO 1200°F
LAYERING SY.:	SEE LAYERING CHARTS
SHOE LTH.(L):	STANDARD SHOE AVAILABLE IN 12" & 18" LENGTHS
TO ORDER:	SPECIFY PIPE SIZE, INSULATION THK., LENGTH HENGE. (HS-3021)-NPS-THK.-L
LOADS:	ALL LOADS ON ADJACENT CHART HAVE A SAFETY FACTOR OF 5

CLIENT NAME: \_\_\_\_\_  
 PROJECT NAME: \_\_\_\_\_  
 REQUISITION#: \_\_\_\_\_  
 P.O.#: \_\_\_\_\_  
 DWG#: \_\_\_\_\_  
 MARK#: \_\_\_\_\_  
 PT&P JOB#: \_\_\_\_\_ ITEM#: \_\_\_\_\_  
 DATE: \_\_\_\_\_

## PIPING TECHNOLOGY & PRODUCTS, INC.

P.O. BOX 34506                      HOUSTON TEXAS 77234  
 3701 HOLMES RD.                    HOUSTON TEXAS 77051  
 TELE#:(713)731-0030                FAX#:(713)731-8640  
 http://www.pipingtech.com/      E-MAIL: info@pipingtech.com





Large Diameter Clamped Shoe for Insulated Service

Pipe size	L=12"	L=18"	Insulation Thickness											
	Vertical Load(lbs)	Vertical Load(lbs)	1"			1-1/2"			2"			2-1/2"		
			W	O.D.	H	W	O.D.	H	W	O.D.	H	W	O.D.	H
8"	715	1430	6-1/2"	11-1/2"	4"	7"	12-1/2"	4"	7-1/2"	13-1/2"	4"	8-1/8"	14-3/4"	6"
10"	1782	1782	7-1/2"	13-1/2"	4"	8-1/8"	14-3/4"	4"	8-5/8"	15-3/4"	4"	9-1/8"	16-3/4"	6"
12"	2114	2114	8-1/2"	13-15/16"	4"	9-1/8"	16-3/4"	4"	9-5/8"	17-3/4"	4"	10-1/8"	18-3/4"	6"
14"	2321	2321	9-1/2"	17"	4"	10"	18"	4"	10-1/2"	19"	4"	11"	20"	6"
16"	2653	2653	10-1/2"	19"	4"	11"	20"	4"	11-1/2"	21"	6"	12"	22"	6"
18"	2984	2984	11-1/2"	21"	4"	12"	22"	4"	12-1/2"	23"	6"	13"	24"	6"
20"	3316	3316	12-1/2"	23"	4"	13"	24"	4"	13-1/2"	25"	6"	14"	26"	6"

Pipe size	L=12"	L=18"	Insulation Thickness								
	Vertical Load(lbs)	Vertical Load(lbs)	3"			3-1/2"			4"		
			W	O.D.	H	W	O.D.	H	W	O.D.	H
8"	715	1430	8-5/8"	15-3/4"	6"	9-1/8"	16-3/4"	6"	9-5/8"	17-3/4"	6"
10"	1782	1782	9-5/8"	17-3/4"	6"	10-1/8"	18-3/4"	6"	10-5/8"	19-3/4"	6"
12"	2114	2114	10-5/8"	19-3/4"	6"	11-1/8"	20-3/4"	6"	11-5/8"	21-3/4"	6"
14"	2321	2321	11-1/2"	21"	6"	12"	22"	6"	12-1/2"	23"	6"
16"	2653	2653	12-1/2"	23"	6"	13"	24"	6"	13-1/2"	25"	8"
18"	2984	2984	13-1/2"	25"	6"	14"	26"	6"	14-1/2"	27"	8"
20"	3316	3316	14-1/2"	27"	6"	15"	28"	6"	15-1/2"	29"	8"