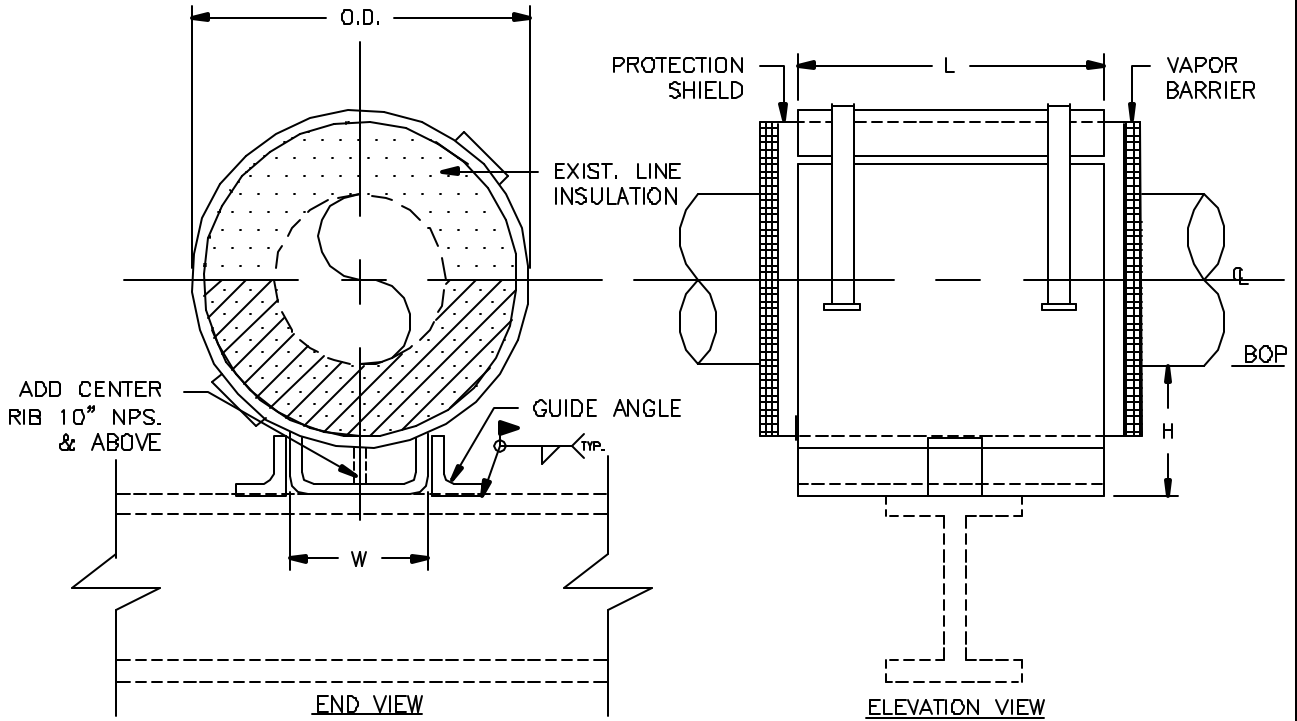


## SPECIFICATIONS

INSULATION THK: \_\_\_\_\_  
 SHOE LENGTH: \_\_\_\_\_  
 LOADS: VERTICAL \_\_\_\_\_  
           LATERAL \_\_\_\_\_  
           AXIAL \_\_\_\_\_  
 TEMPERATURE: \_\_\_\_\_



Design: PT&P 6/2/1999 1:35 PM HS-4020

## NOTES

	FIGURE# HS-4020 DESCRIPTION: GUIDED SHOES, U-TYPE BASE, 180° INS., WITH BANDSTRAPS
FUNCTION: USE TO SUPPORT VERTICAL LOADS WHILE PREVENTING LATERAL MOVEMENT. - - - -	CLIENT NAME: _____ PROJECT NAME: _____ REQUISITION#: _____ P.O # _____ DWG#: _____ MARK#: _____ PT&P JOB# _____ ITEM#: _____ DATE: _____
PIPE SIZE: 8" TO 20" NPS.	
MATERIAL: GALVANIZED OR HDG CARBON STEEL	
INSULATION: HIGH DENSITY CALCIUM SILICATE	
TEMP. RANGE: AMBIENT TO 1200°F	
LAYERING SY.: SEE LAYERING CHARTS	
SHOE LTH,(L): STANDARD SHOE AVAILABLE IN 12" & 18" LENGTHS	
TO ORDER: SPECIFY PIPE SIZE, INSULATION THK., LENGTH HENCE: (HS-4020)-NPS-THK -L	
LOADS: ALL LOADS ON ADJACENT CHART HAVE A SAFETY FACTOR OF 5	

## PIPING TECHNOLOGY & PRODUCTS, INC.

P.O. BOX 34506      HOUSTON TEXAS 77234  
 3701 HOLMES RD      HOUSTON TEXAS 77051  
 TELE#:(713)731-0030      FAX#:(713)731-8640  
<http://www.pipingtech.com/>      E-MAIL: info@pipingtech.com





Guided Sliding Hotshoes being Inspected prior to Shipment

Pipe size	L=12" Vertical Load(lbs)	L=18" Vertical Load(lbs)	Insulation Thickness								
			1"			1-1/2"			2"		
			W	O.D.	H	W	O.D.	H	W	O.D.	H
8"	715	1430	7-5/8"	11-1/2"	4"	8-5/16"	12-1/2"	4"	8-11/16"	13-1/2"	4"
10"	1782	2673	9"	13-1/2"	4"	9-15/16"	14-3/4"	4"	10-5/8"	15-3/4"	4"
12"	2114	3171	10-5/8"	13-15/16"	4"	11-5/16"	16-3/4"	4"	12"	17-3/4"	4"
14"	2321	3482	11-5/16"	17"	4"	12"	18"	4"	12-3/4"	19"	4"
16"	2653	3979	12-3/4"	19"	4"	13-7/16"	20"	4"	14-1/8"	21"	4"
18"	2984	4476	14-1/8"	21"	4"	14-13/16"	22"	4"	15-5/8"	23"	4"
20"	3316	4974	15-5/8"	23"	4"	16-5/16"	24"	4"	17"	25"	4"

Pipe size	L=12" Vertical Load(lbs)	L=18" Vertical Load(lbs)	Insulation Thickness											
			2-1/2"			3"			3-1/2"			4"		
			W	O.D.	H	W	O.D.	H	W	O.D.	H	W	O.D.	H
8"	715	1430	9-15/16"	14-3/4"	4"	10-5/8"	15-3/4"	6"	11-5/16"	16-3/4"	6"	12"	17-3/4"	6"
10"	1782	2673	11-5/16"	16-3/4"	4"	12"	17-3/4"	6"	12-3/4"	18-3/4"	6"	13-7/16"	19-3/4"	6"
12"	2114	3171	12-11/16"	18-3/4"	4"	13-7/16"	19-3/4"	6"	14-1/8"	20-3/4"	6"	14-13/16"	21-3/4"	6"
14"	2321	3482	13-7/16"	20"	4"	14-1/8"	21"	6"	14-13/16"	22"	6"	15-5/8"	23"	6"
16"	2653	3979	14-13/16"	22"	6"	15-5/8"	23"	6"	16-1/4"	24"	6"	17"	25"	6"
18"	2984	4476	16-5/16"	24"	6"	17"	25"	6"	17-11/16"	26"	6"	18-7/16"	27"	6"
20"	3316	4974	17-3/4"	26"	6"	18-7/16"	27"	6"	19-1/8"	28"	6"	19-13/16"	29"	6"