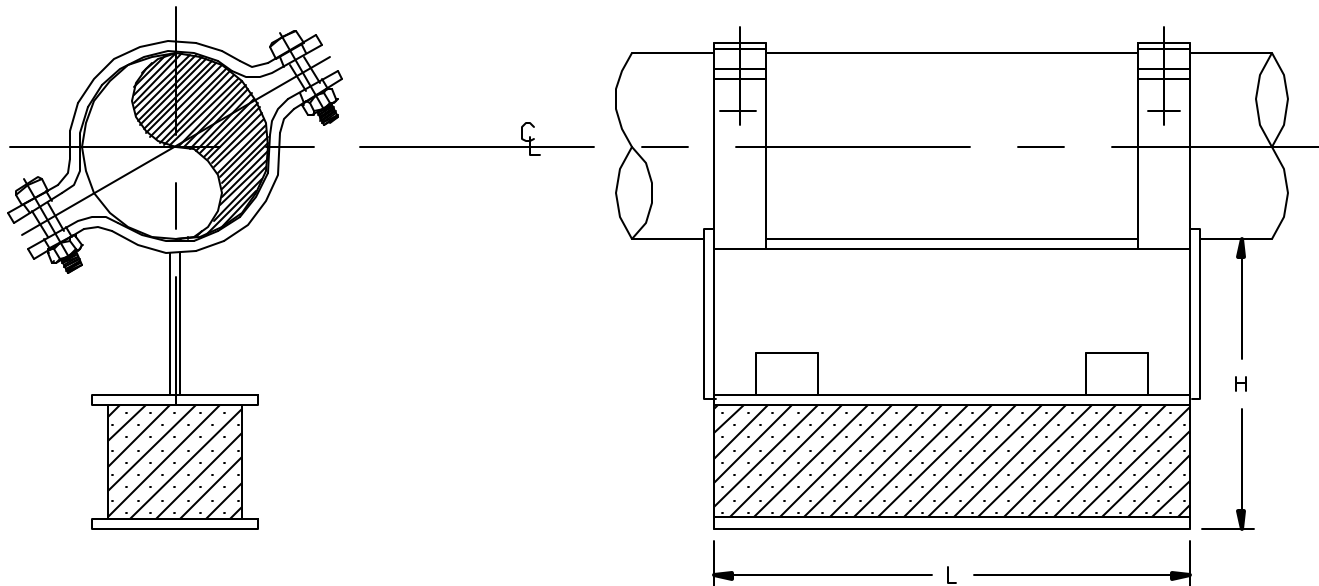


SPECIFICATIONS

INSULATION THK: _____
 SHOE LENGTH: _____
 LOADS, VERTICAL _____
 LATERAL _____
 AXIAL _____
 TEMPERATURE: _____



Design: PT&P 6/2/1999 2:09 PM HS-6020

NOTES

FIGURE#: HS-6020
 DESCRIPTION: MISC. SHOES, DOUBLE CLAMP, HIGH DENSITY CALCIUM SILICATE SUPPORT

FUNCTION:	USE TO SUPPORT UNINSULATED (FLARE) LINES. - - - - -
PIPE SIZE:	1/2" TO 42" NPS.
MATERIAL:	STAINLESS STEEL & CHROMALLY
INSULATION:	HIGH DENSITY CALCIUM SILICATE -
TEMP. RANGE:	AMBIENT TO 1200°F
LAYERING SY.:	SEE LAYERING CHARTS
SHOE LTH.(L):	STANDARD SHOE AVAILABLE IN 12" & 18" LENGTH
TO ORDER:	SPECIFY PIPE SIZE, INSULATION THK., LENGTH HENCE. (HS-6020)-NPS-THK.-L
LOADS:	ALL LOADS ON ADJACENT CHART HAVE A SAFETY FACTOR OF 5

CLIENT NAME: _____
 PROJECT NAME: _____
 REQUISITION#: _____
 P.O.#: _____
 DWG#: _____
 MARK#: _____
 PT&P JOB#: _____ ITEM#: _____
 DATE: _____

PIPING TECHNOLOGY & PRODUCTS, INC.

P.O. BOX 34506 HOUSTON TEXAS 77234
 3701 HOLMES RD. HOUSTON TEXAS 77051
 TELE#:(713)731-0030 FAX#:(713)731-8640
<http://www.pipingtech.com/> E-MAIL: info@pipingtech.com





Testing of Load on a Pre-Insulated Support

Pipe size	L=12"	L=18"	W	H
	Vertical Load(kips)	Vertical Load(kips)		
1/2"	5.76	8.64	4"	4"
3/4"	5.76	8.64	4"	4"
1"	5.76	8.64	4"	4"
1-1/4"	5.76	8.64	4"	4"
1-1/2"	5.76	8.64	4"	4"
2"	5.76	8.64	4"	4"
2-1/2"	5.76	8.64	4"	4"
3"	8.64	12.96	6"	6"
3-1/2"	8.64	12.96	6"	6"
4"	8.64	12.96	6"	6"
5"	8.64	12.96	6"	6"
6"	8.64	12.96	6"	6"
8"	11.52	17.28	8"	6"
10"	11.52	17.28	8"	6"
12"	17.28	25.92	12"	6"
14"	17.28	25.92	12"	6"
16"	21.60	32.40	15"	6"
18"	23.04	34.56	16"	8"
20"	25.92	38.88	18"	8"
24"	31.68	47.52	22"	8"
26"	31.68	47.52	22"	8"
28"	31.68	47.52	22"	8"
30"	31.68	47.52	22"	8"
32"	31.68	47.52	22"	8"
34"	31.68	47.52	22"	8"
36"	31.68	47.52	22"	8"
40"	37.44	56.16	26"	8"
42"	43.20	64.80	30"	8"