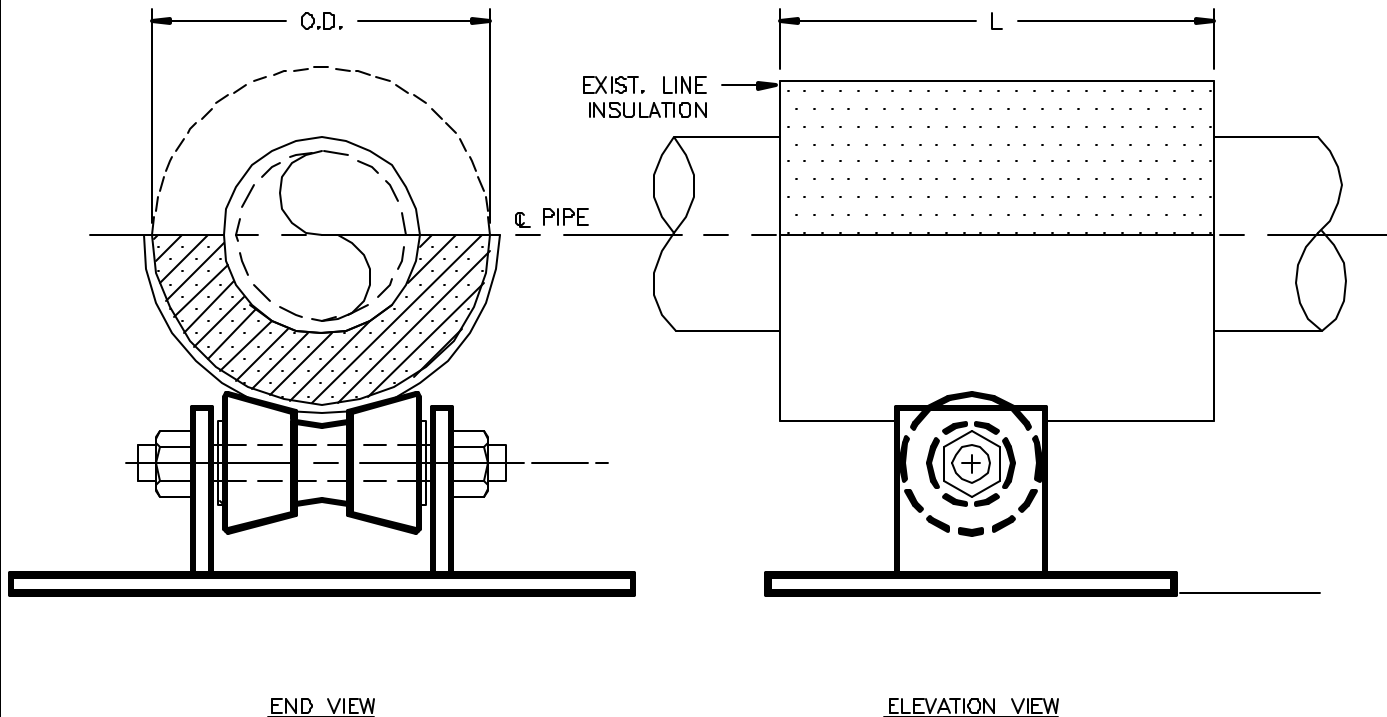


SPECIFICATIONS

INSULATION THK: _____
 SHOE LENGTH: _____
 LOADS: VERTICAL _____
 LATERAL _____
 AXIAL _____
 TEMPERATURE: _____



Design. PT&P 6/2/1999 2:16 PM HS-6040

NOTES

		FIGURE#: HS-6040 DESCRIPTION: MISCELLANEOUS SHOES, ROLLER TYPE
FUNCTION:	USE TO SUPPORT VERTICAL MOVEMENT WHILE ALLOWING AXIAL MOVEMENT.	CLIENT NAME: _____ PROJECT NAME: _____ REQUISITION#: _____ P.O.#: _____ DWG#: _____ MARK#: _____ PT&P JOB#: _____ ITEM#: _____ DATE: _____
PIPE SIZE:	1/2" TO 42" NPS.	
MATERIAL:	GALVANIZED OR HDG CARBON STEEL	
INSULATION:	HIGH DENSITY CALCIUM SILICATE	
TEMP. RANGE:	AMBIENT TO 1200°F	
LAYERING SY.:	SEE LAYERING CHARTS	PIPING TECHNOLOGY & PRODUCTS, INC.
SHOE LTH.(L):	STANDARD SHOE AVAILABLE IN 12" & 18" LENGTHS	
TO ORDER:	SPECIFY PIPE SIZE, INSULATION THK., LENGTH HENCE. (HS-6040)-NPS-THK.-L	
LOADS:	ALL LOADS ON ADJACENT CHART HAVE A SAFETY FACTOR OF 5	
		P.O. BOX 34506 3701 HOLMES RD. TELE#:(713)731-0030 http://www.pipingtech.com/
		HOUSTON TEXAS 77234 HOUSTON TEXAS 77051 FAX#.(713)731-8640 E-MAIL: info@pipingtech.com





Hotshoe Packed for Shipment

Pipe size	L=12" Vertical Load(lbs)	L=18" Vertical Load(lbs)	Insulation thickness						
			1" O.D.	1-1/2" O.D.	2" O.D.	2-1/2" O.D.	3" O.D.	3-1/2" O.D.	4" O.D.
1/2"	70	139	3-1/8"	4-1/4"	5-1/4"	6-7/8"	7-7/8"	8-7/8"	9-7/8"
3/4"	87	174	3-1/8"	4-1/4"	5-1/4"	6-7/8"	7-7/8"	8-7/8"	9-7/8"
1"	109	218	3-3/4"	4-3/4"	5-13/16"	6-7/8"	7-7/8"	8-7/8"	9-7/8"
1-1/4"	138	275	3-3/4"	5-1/4"	5-13/16"	6-7/8"	7-7/8"	8-7/8"	9-7/8"
1-1/2"	158	315	4-1/4"	5-1/4"	6-7/8"	7-7/8"	8-7/8"	9-7/8"	11"
2"	197	394	5"	6-1/16"	7-1/4"	8-1/8"	9-1/8"	10-1/8"	11-1/4"
2-1/2"	238	477	5-1/2"	7-1/8"	8-1/8"	9-1/8"	10-1/8"	11-1/4"	12-1/4"
3"	290	580	6-1/16"	7-1/8"	8-1/8"	9-1/8"	10-1/8"	11-1/4"	12-1/4"
3-1/2"	332	663	7-1/8"	8-1/8"	9-1/8"	10-1/8"	11-1/4"	12-1/4"	13-1/4"
4"	373	746	7-1/8"	8-1/8"	9-1/8"	10-1/8"	11-1/4"	12-1/4"	13-1/4"
5"	461	922	8-1/8"	9-1/8"	10-1/8"	11-1/4"	12-1/4"	13-1/4"	14-1/2"
6"	549	1098	9-15/16"	10-3/8"	11-1/2"	12-1/2"	13-1/2"	14-3/4"	15-3/4"
8"	715	1430	11-1/2"	12-1/2"	13-1/2"	14-3/4"	15-3/4"	16-3/4"	17-3/4"
10"	1782	2673	13-1/2"	14-3/4"	15-3/4"	16-3/4"	17-3/4"	18-3/4"	19-3/4"
12"	2114	3171	13-15/16"	16-3/4"	17-3/4"	18-3/4"	19-3/4"	20-3/4"	21-3/4"
14"	2321	3482	17"	18"	19"	20"	21"	22"	23"
16"	2653	3979	19"	20"	21"	22"	23"	24"	25"
18"	2984	4476	21"	22"	23"	24"	25"	26"	27"
20"	3316	4974	23"	24"	25"	26"	27"	28"	29"
24"	5969	7958	27"	28"	29"	30"	31"	32"	33"
26"	6466	8621	29-1/2"	30-1/2"	31-1/2"	32-1/2"	33-1/2"	34-1/2"	35-1/2"
28"	6963	9284	31-1/2"	32-1/2"	33-1/2"	34-1/2"	35-1/2"	36-1/2"	37-1/2"
30"	7461	9948	33-1/2"	34-1/2"	35-1/2"	36-1/2"	37-1/2"	38-1/2"	39-1/2"
32"	7958	10611	35-1/2"	36-1/2"	37-1/2"	38-1/2"	39-1/2"	40-1/2"	41-1/2"
34"	8455	11274	37-1/2"	38-1/2"	39-1/2"	40-1/2"	41-1/2"	42-1/2"	43-1/2"
36"	8953	11937	39-1/2"	40-1/2"	41-1/2"	42-1/2"	43-1/2"	44-1/2"	45-1/2"
40"	9948	13263	43-1/2"	44-1/2"	45-1/2"	46-1/2"	47-1/2"	48-1/2"	49-1/2"
42"	10445	13927	45-1/2"	46-1/2"	47-1/2"	48-1/2"	49-1/2"	50-1/2"	51-1/2"