



FIG. 6

CYLINDER PIPE GUIDE (SPIDER GUIDE)

www.pipingtech.com/fig6

APPLICATION:

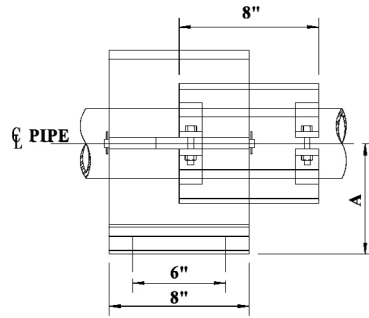
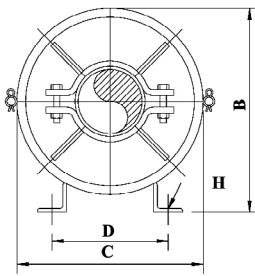
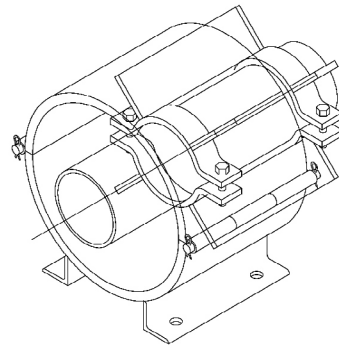
Design for use on pipe lines containing expansion joints or other critical components where lateral pipe movement needs to be controlled. More than one spider guide should be used adjacent to avoid a fulcrum, imposing lateral deflection on critical components (expansion joints). The guide can be furnished with split sleeve or solid, and they can be modified to suit.

FINISH:

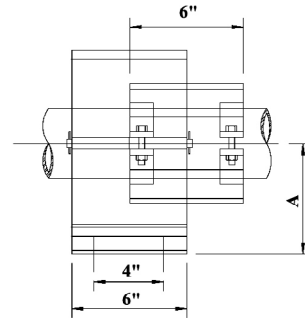
Black or hot dipped galvanized.

ORDERING:

Specify figure number, pipe size, description, and finish. Please specify long or short design when ordering.



LONG DESIGN



SHORT DESIGN

SIZE NO.	A	B	C	D	H
1	3 3/4	6	4 1/2	3	5/8
2	4 3/8	7 1/8	5 9/16	3 1/2	5/8
3	4 7/8	8 1/8	6 5/8	4 1/2	5/8
4	5 7/8	10 1/8	8 5/8	5 1/2	5/8
5	6 7/8	12 1/4	10 3/4	6 1/2	5/8
6	7 7/8	14 1/4	12 3/4	7	5/8
7	8 7/8	15 7/8	15 1/2	7 1/2	3/4
8	9 7/8	17 7/8	17 1/2	8	3/4
9	11	20	19 3/4	9	3/4
10	12	22	22	10	7/8
11	13	24	23	11	7/8